

## CLUB SERIES

### Undermount Square Bar/Prep Sink Model MS-1708



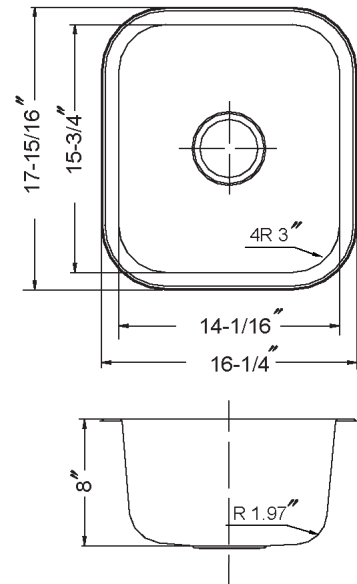
MS-1708

#### FEATURES

- Premium grade T-304 stainless steel
- 8" depth • 18 gauge
- StoneGuard™ undercoating over Super-Silencer pad
- SpecPlus™ edge
- Lustrous satin with highlighted rim
- Fits 24" sink base • 3-1/2" drain opening
- Supplied with cutout template, fasteners and instructions
- Complies with ASME A112.19.3-2000, cUPC®
- Lifetime Limited Warranty



ASME A112.19.3-2000



#### OPTIONAL ACCESSORIES

Bottom Grid: BG-3100

Cutting Board : CB-3100

Rinsing Basket: RB-3100

Strainer: 190-9180

OVERALL DIMENSIONS	EACH BOWL	CUTOUT SIZE	PACKAGING*	WEIGHT*
16-1/4" x 17-15/16"	14-1/16" x 15-3/4"	See Template	1/32/40 pcs.	11/370/380 lbs.

\*Standard packaging: Single boxed /Pallet of single boxed/Pallet of bulk pack.  
 All dimensions are in inches. Specifications subject to change without notice.

Project/Job name

Architect/Engineer

Contractor

Model Q'ty

Notes

#### Installation profile

