

CLUB SERIES

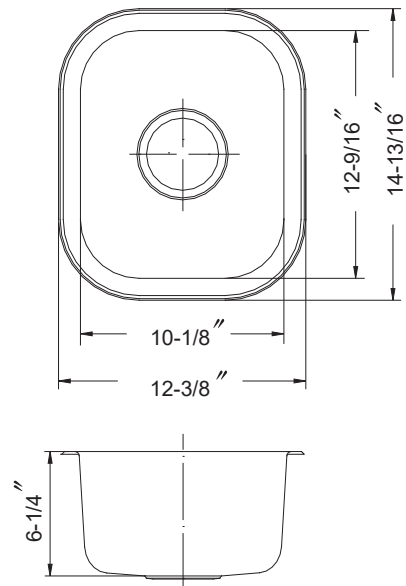
Undermount Small Bar/Prep Sink Model CS-1307



CS-1307

FEATURES

- Premium grade T-304 stainless steel
- 6-1/4" depth • 18 gauge
- StoneGuard™ undercoating over Super-Silencer pad
- SpecPlus™ edge
- Lustrous satin with highlighted rim
- Fits 18" sink base
- 2" drain opening
- Supplied with cutout template, fasteners and instructions
- Complies with ASME A112.19.3-2000, UPC®
- Lifetime Limited Warranty



OPTIONAL ACCESSORIES

- Bottom Grid: BG-1300
- Strainer: 190-4200

| OVERALL DIMENSIONS | EACH BOWL | CUTOUT SIZE | PACKAGING* | WEIGHT* |
|----------------------|-------------------|--------------|--------------|----------------|
| 14-11/16" x 12-7/16" | 12-1/2" x 10-1/4" | See Template | 1/32/40 pcs. | 6/230/250 lbs. |

*Standard packaging: Single boxed /Pallet of single boxed/Pallet of bulk pack.
All dimensions are in inches. Specifications subject to change without notice.

Project/Job name

Architect/Engineer

Contractor

Model

Q'ty

Notes

Installation profile

