

GLOWTONE SERIES

Topmount Single Bowl

Model 2522-8BS3 3 holes

2522-8BS4 4 holes



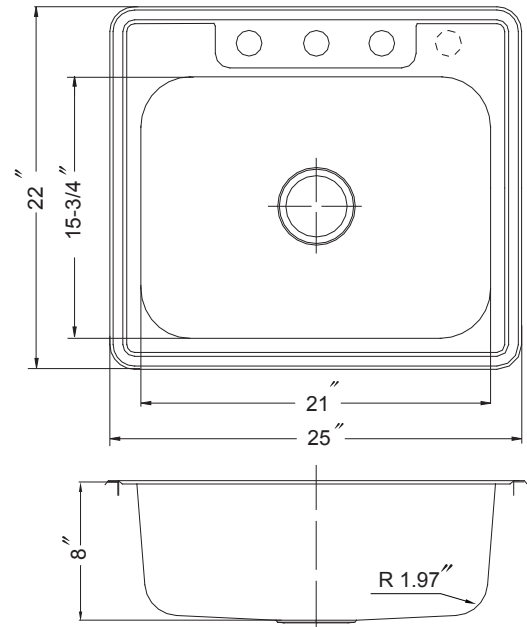
2522-8BS

FEATURES

- Premium grade T-304 stainless steel
- 8" depth • 20 gauge • 3 or 4 holes
- Super-Silencer pad
- Lustrous satin with highlighted rim
- Fits 30" sink base
- 3-1/2" drain opening
- Supplied with fasteners and instructions
- Complies with ASME A112.19.3-2000, cUPC®
- Lifetime Limited Warranty



ASME A112.19.3-2000



OPTIONAL ACCESSORIES

Bottom Grid: BG-2500

Cutting Board : CB-2500

Rinsing Basket : RB-2500

Strainer: 190-9180

OVERALL DIMENSIONS	EACH BOWL	CUTOUT SIZE	PACKAGING*	WEIGHT*
25" x 22"	21" x 15-3/4"	24-1/4" x 21-1/4"	1/16/36 pcs.	12/230/380 lbs.

*Standard packaging: Single boxed /Pallet of single boxed/Pallet of bulk pack.
All dimensions are in inches. Specifications subject to change without notice.

Project/Job name

Architect/Engineer

Contractor

Model

Q'ty

Notes

Installation profile

