

SAVOIR SERIES

10mm Radius Undermount Large Single Bowl Model CNG-3200



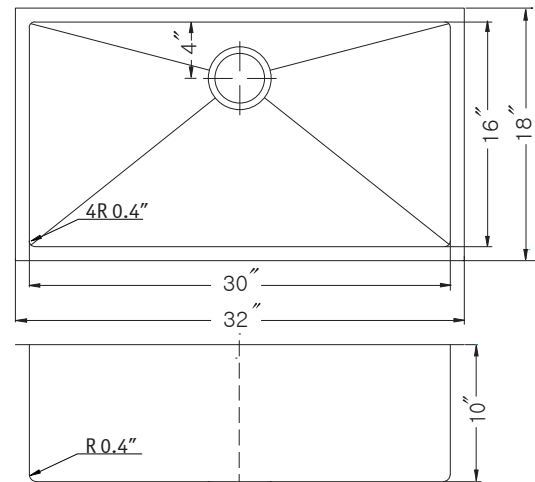
CNG-3200

FEATURES

- Premium grade T-304 stainless steel
- 10" depth • 18 gauge
- MegaShield™ insulation
- 10mm/0.4" Radius Coved Corner
- Brushed satin, rear-set drain • 3-1/2" drain opening
- Fits 36" sink base
- Supplied with cutout template, fasteners and instructions
- Complies with ASME A112.19.3-2000, cUPC®
- Lifetime Limited Warranty



ASME A112.19.3-2000



OPTIONAL ACCESSORIES

Bottom Grid: BG-4320

Cutting Board : CB-4100

Strainer: 190-9180

OVERALL DIMENSIONS	EACH BOWL	CUTOUT SIZE	PACKAGING*	WEIGHT*
32" x 18"	30" x 16"	See Template	1/12 pcs.	35/450 lbs.

*Standard packaging: Single boxed /Pallet of single boxed.
All dimensions are in inches. Specifications subject to change without notice.

Project/Job name _____

Architect/Engineer _____

Contractor _____

Model _____ Q'ty _____

Notes _____

Installation profile

