

## PREMIERE GOURMET SERIES

### Topmount Triple Bowl Model PGT-4322



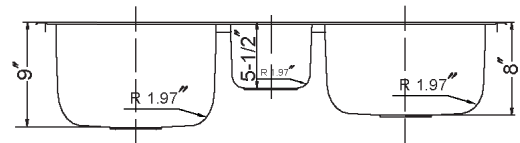
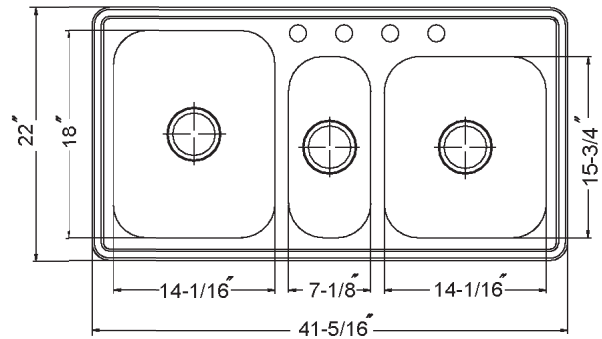
PGT-4322

#### FEATURES

- Premium grade T-304 stainless steel
- 9", 5-1/2" & 8" depth • 18 gauge • 4 holes
- StoneGuard™ undercoating over Super-Silencer pad
- Lustrous satin with highlighted rim
- Fits 45" sink base • 3-1/2" drain opening
- Supplied with fasteners and instructions
- Complies with ASME A112.19.3-2000, cUPC®
- Lifetime Limited Warranty



ASME A112.19.3-2000



#### OPTIONAL ACCESSORIES

Bottom Grid: BG-1100, BG-3100& BG-3400    Rinsing Basket: RB-3100  
 Cutting Board : CB-3100    Strainer: 190-9180  
 Colander : CL-1120

OVERALL DIMENSIONS	EACH BOWL	CUTOUT SIZE	PACKAGING*	WEIGHT*
41-5/16" x 22"	14-1/16" x 18" 7-1/8" x 15-3/4" 14-1/16" x 15-3/4"	See Template	1/10/20 pcs.	31/380/600 lbs.

\*Standard packaging: Single boxed /Pallet of single boxed/Pallet of bulk pack.  
 All dimensions are in inches. Specifications subject to change without notice.

Project/Job name \_\_\_\_\_

Architect/Engineer \_\_\_\_\_

Contractor \_\_\_\_\_

Model \_\_\_\_\_ Q'ty \_\_\_\_\_

Notes \_\_\_\_\_

#### Installation profile

