

Hammerwerks Series

Hand-Hammered Copper and Pewter Sinks

Lager Bar/Prep Sink

Model **HW-LAG1BF**

HW-LAG2BF

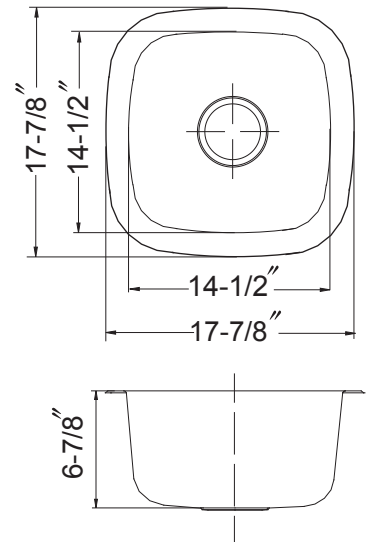


FEATURES

- Exceptional blend of beauty and function
- 17-7/8" x 17-7/8" overall
- 6-7/8" depth
- 3-1/2" drain opening
- Fits 24" cabinet

Model information

- **HW-LAG1BF** Bar-Prep Sink/ Flat Lip, Antique copper
- **HW-LAG2BF** Bar-Prep Sink/ Flat Lip, Lustrous pewter



Installation information

Your Hammerwerks® Hand-Hammered Copper sink is individually hand-crafted and not the product of assembly-line specifications. Every sink is unique and therefore a variance of approximately 1/4" in dimensions is usual. We recommend receiving your specific sink and measuring before cutting your countertop to ensure proper fit.

OVERALL DIMENSIONS	EACH BOWL	CUTOUT SIZE	PACKAGING*	WEIGHT*
17-7/8" x 17-7/8"	14-1/2" x 14-1/2"	See Template	1/16 pcs.	10/200 lbs.

*Standard packaging: Single boxed /Pallet of single boxed.

All dimensions are in inches. Specifications subject to change without notice.

Project/Job name

Architect/Engineer

Contractor

Model

Q'ty

Notes