

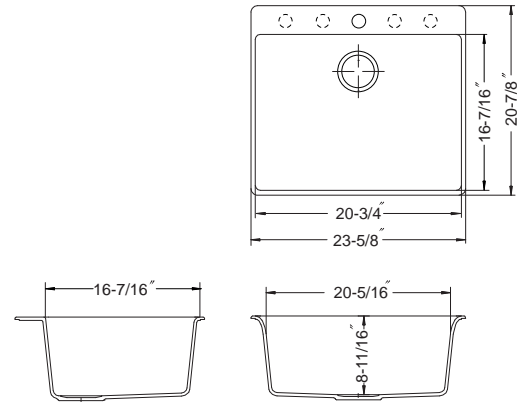
## Quartztone® Topmount Single Bowl Model G-100



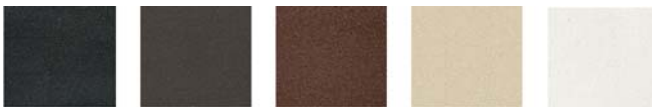
G-100

### FEATURES

- 80% quartz
- 8-11/16" depth • Pre-scored up to 5 faucet holes
- Intrinsically hygienic Non-porous surface
- Natural, antibacterial hygiene protection system
- Silky to the touch, 3 times harder than natural granite
- Food-safe, UV-stable-will not fade
- Heat resistance to +500°F
- Highest resistance to thermal shock, scratches and chips
- Color-fast throughout
- Fits 30" sink base • cUPC listed
- Supplied with cutout template, fasteners and instructions
- 1 year Limited Warranty



### OPTIONAL COLORS



**Midnite**  
Metallic

**Mocha**  
Solid

**Earth**  
Structured

**Sand**  
Solid

**Cloud**  
Solid

OVERALL DIMENSIONS	EACH BOWL	CUTOUT SIZE	PACKAGING*	WEIGHT*
23-5/8" x 20-7/8"	20-3/4" x 16-7/16"	See Template	1/10 pcs.	35/390lbs.

\*Standard packaging: Single boxed /Pallet of single boxed.

All dimensions are in inches. Specifications subject to change without notice.

### OPTIONAL ACCESSORIES

Bottom Grid: 629704

Cutting Board : CB-4100

Wire Tray: WT-3500

Strainer Options: Stainless steel strainers,  
Color strainers, Color Disposal flanges

Project/Job name \_\_\_\_\_

Architect/Engineer \_\_\_\_\_

Contractor \_\_\_\_\_

Model \_\_\_\_\_

Q'ty \_\_\_\_\_

Notes \_\_\_\_\_