

## EPICURE SERIES

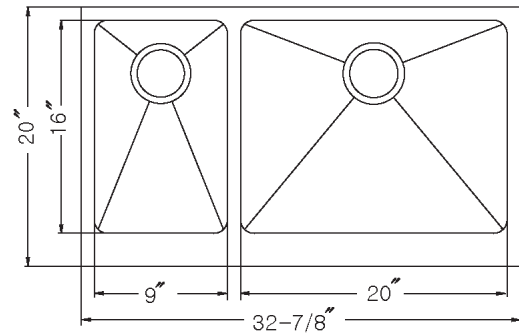
# 70/30 Double Bowl



### FEATURES

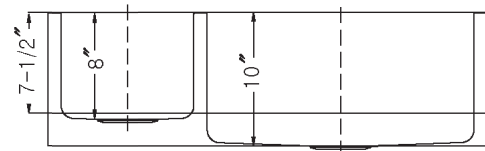
- Premium grade T-304 stainless steel
- 8" & 10" depth • 16/18 gauge
- StoneGuard™ undercoating over Super-Silencer pad
- Farmhouse sink with apron
- Apron 10" high with 2-1/2" offset
- Brushed satin, rear-set drain
- Fits 33" sink base • 3-1/2" drain opening
- Supplied with cutout template, fasteners and instructions
- Complies with ASME A112.19.3-2000, UPC®
- Lifetime Limited Warranty

EPO-3370SL



### OPTIONAL ACCESSORIES

- Bottom Grid: BG-5370 & BG-5190  
 Cutting Board : CB-4500  
 Strainer: 190-9180



OVERALL DIMENSIONS	EACH BOWL	CUTOUT SIZE	PACKAGING*	WEIGHT*
32-7/8" x 20"	9" x 16" 20" x 16"	See Template	1/12 pcs.	44/560 lbs.

\*Standard packaging: Single boxed /Pallet of single boxed.  
 All dimensions are in inches. Specifications subject to change without notice.

Project/Job name \_\_\_\_\_

Architect/Engineer \_\_\_\_\_

Contractor \_\_\_\_\_

Model \_\_\_\_\_ Q'ty \_\_\_\_\_

Notes \_\_\_\_\_