

Installation instructions for Epicure series Farmhouse Sink

General Recommendations:

Please read installation and maintenance instructions thoroughly.
Inspect your sink for any noticeable damage before installation.
Check all local applicable plumbing and building codes.

These instructions are based on application to composite material or solid surface countertop installation only; countertop application to stone, marble, granite or butcher-block should be referred to an experienced countertop fabricator for custom installation.

Epicure series Farmhouse sinks are individually hand-crafted and HOUZER suggests using experienced and professional installers only. For custom cutting of countertop and installation of the actual sink, on-site installation is also recommended. Acceptable variances are approximately 1/8 of an inch. Alignment to the cut-out and precise application and trimming of any adhesive sealant are critical to a superior fit and finished look. Please take extra care in this regard.

Epicure series Farmhouse sinks require custom order cabinets. Consult your cabinet dealer.

HOUZER does not accept any liability for damage to countertop, sink fixture, faucets or personal injury during installation. Warranty is void if installation instructions are not followed.

Tools and Materials needed:

Tape Measure	Framing Square	Eye Protection
Hacksaw/Jigsaw	Ear Protection	Silicone Adhesive Sealant
Rags	Shims	Wood Braces
Pencil (NOT ink)	Denatured Alcohol	

Be sure to use proper tools and always wear personal safety devices for your protection.

Installation Options:

Epicure series Farmhouse sinks offer installation options depending on your design.

Undermount Installation

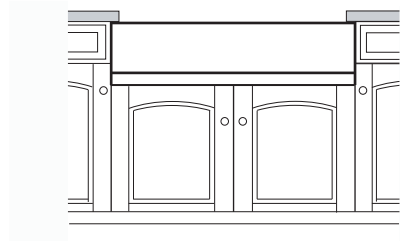


Figure 1

Flush mount Installation

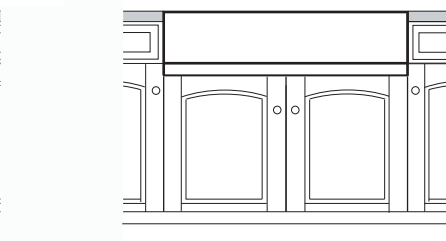


Figure 2

Built-up Installation

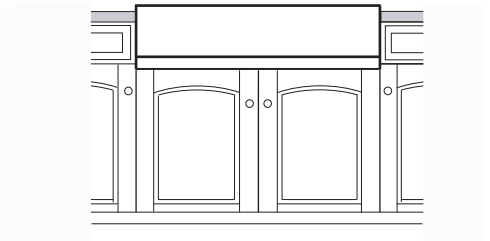


Figure 3

Caution: All installation types need to allow room for faucet installation. Ensure adequate clearance behind the sink for any faucet and backsplash, as well as full range of motion for faucet spouts and handles.

Typical undermount installation with 1/4" reveal recommended.

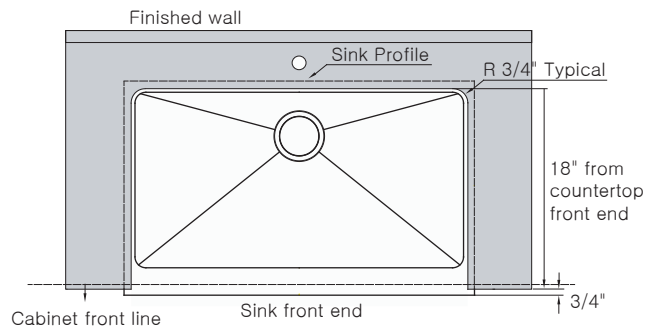


Figure 4

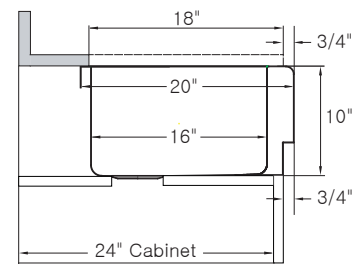


Figure 5

Typical flush mount and built-up installation

Built-up installation may expose sink sides to be raised up to 1" above the countertop.

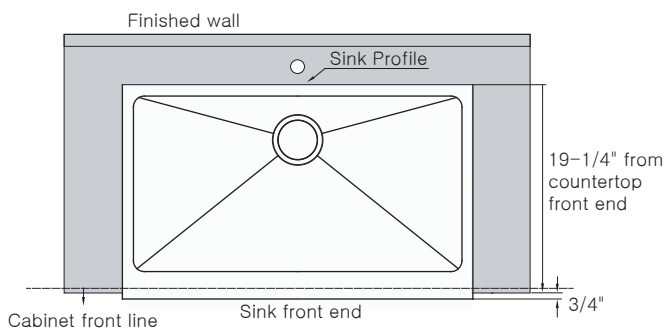


Figure 6

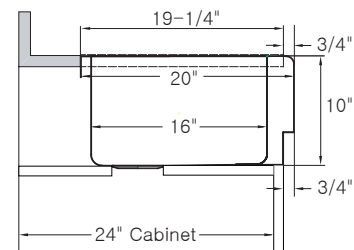


Figure 7

1. Prepare the Sink Base Cabinet

Farmhouse sinks require custom order sink base cabinets with a front cutout to accommodate a 10" deep sink. Build a plywood platform on a support frame inside of the sink base cabinet. Platform must support the weight of the sink and any attachments such as garbage disposals. When the sink is placed onto a platform, make sure the top of the sink is evenly flush against the bottom of the countertop. Allow clearance for water supply line and drains or garbage disposal, as necessary.

2. Make a Template and Cutout

Depending on the installation option, make proper cutout of the countertop.

Houzer recommends a 1/4" reveal on 3 sides when installed undermount style.

For a flush mount or built up installation, cut countertop along with outside line of the sink profile.

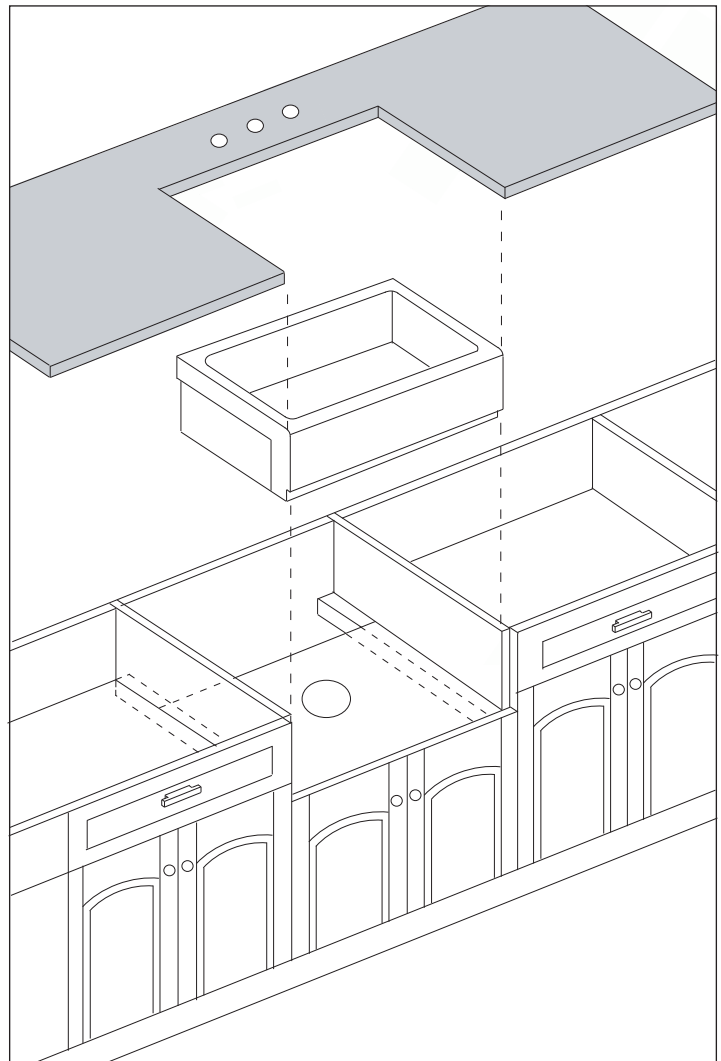
Front end of Epicure Farmhouse sinks are designed to be installed 3/4" extended out beyond the front end of the countertop. Cut countertop accordingly.

Cut countertop accordingly.

No template is provided due to the custom nature of each application and installation.

The actual sink is used as the template guide for each installation.

After centering the sink and allowing for any faucets and backsplashes, use a pencil to outline the sink as your guide for the cutout, allowing for any reveal before the actual cutting.



3. Set the Sink

Set the sink on top of the cabinet or into the cabinet front cutout.

Apply sealant if necessary as a gasket between the sink and cabinet.

4. Install the Countertop

Carefully clean bottom of countertop and top flange of sink with denatured alcohol. Apply bead of silicone adhesive (not supplied) around the top edge of the sink. Place countertop onto the sink. Remove excess sealant from the lip or any surfaces with a cleaner recommended by manufacturer of adhesive sealant.

Care and Maintenance

ALWAYS

- Clean everyday by thoroughly rinsing with a mild soap and warm water and wipe dry.
- Rub lightly with a soft cloth in the direction of grain lines on a regular basis for additional preventive cleaning.
- Keep the sink free of any standing water as this can cause a buildup of mineral deposit, which can affect the appearance of your sink.
- Any stubborn stains should be removed by scrubbing in the direction of the grain with a mild abrasive such as Comet. Always rinse the sink after using any cleaning agent and wipe dry.
- Clean any mineral deposits built up over time with a mild solution of vinegar and water followed by a thorough flushing with water.
- Remove any scratches with a Scotch-Brite pad and cleaning agent rubbing in the direction of the grain. NOT RECOMMENDED FOR MIRROR FINISH.

NEVER

- Leave water spots, steel cookware or utensils in the sink for lengthy periods; iron particles often develop rust spots in the stainless steel surface.
- Use a steel wool or scoring pad as it damages the sink surface and causes discoloration.
- Let household cleaning agents or bleach sit in your sink for long periods of time as this may ruin the finish of your sink.
- Leave rubber mats, sponges or cleaning pads in the sink overnight as this will trap water and could stain and discolor the sink surface.
- Use any drain cleaning products containing sulfuric or hydrochloric acid as this will attack the sink. Silver cleaners can also contain acids that will damage the sink surface.
- Use the inside of the sink as a cutting surface.

Lifetime Limited Warranty

HOUZER stainless steel sinks are produced to the highest manufacturing standards and are covered by a limited lifetime warranty that protects the original purchaser against any defects in materials and workmanship under normal use. If upon determination by HOUZER that the sink is defective, HOUZER will replace without charge, with an equivalent sink or refund, will be sent to the original purchaser that it has been used in a residential application and installed, used and maintained according to the instructions supplied with the sink, and not damaged due to abuse, misuse or negligence. This warranty will not cover any labor charges incurred in installation, removal, replacement or repair, transportation cost or any consequential damages, which might be caused by the product. HOUZER shall not be liable in case of ;

- Improper installation or modification of original product
- Damages resulting from abuse, such as scratches by dropping heavy objects into the sink
- Scratches resulting from scrubbing with steel wool, abrasive pads or cleaners
- Improper application such as exposure to corrosive chemicals, or photographic solutions
- Any commercial application

If the original purchaser finds a defect in material or workmanship, please contact HOUZER Warranty Service, 2605 Kuser Road, Hamilton, NJ 08691. Please include proof of purchase-save sales receipt. The law in some states may expand or modify this warranty. This warranty supersedes all other warranties, expressed or implied.

HOUZER Inc. 2605 Kuser Road, Hamilton NJ 08691 Phone 1-800-880-3639 Fax 1-609-584-1900 www.HouzerSink.com

©HOUZER 2007 All rights reserved