

## OPUS SERIES

### Lavatory Conical Bowl

**Model CR0-1620** Undermount with overflow

**CRT0-1620** Topmount with overflow



### FEATURES

CR-1620

- Premium grade T-304 stainless steel
- 6-1/4" depth • 18 gauge
- StoneGuard™ undercoating
- SpecPlus™ edge
- Lustrous satin with highlighted rim
- Fits 21" sink base
- 1-1/2" drain opening
- Supplied with cutout template, fasteners and instructions
- Complies with ASME A112.19.3-2000, cUPC®
- Lifetime Limited Warranty

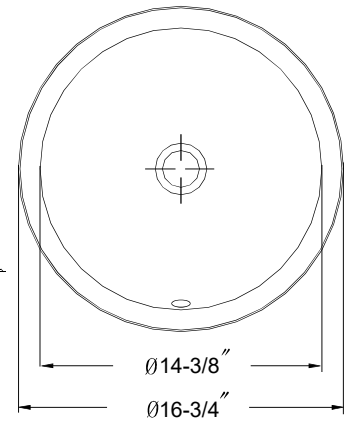
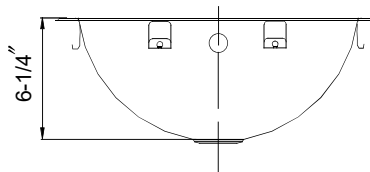


**TYPE 304**  
PREMIUM STAINLESS STEEL

**SpecPlus™**  
EDGE  
The Stronger Sink You Can Buy

**StoneGuard™**  
UNDERCOAT PROTECTION

**Lifetime**  
Warranty



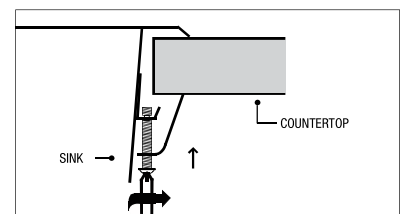
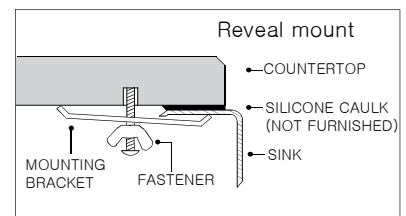
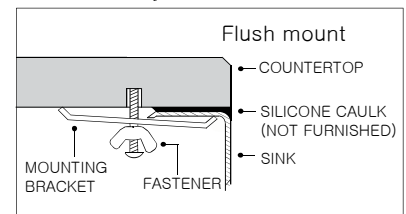
### OPTIONAL ACCESSORIES

Overflow Assembly : OD-10

OVERALL DIMENSIONS	EACH BOWL	CUTOUT SIZE	PACKAGING*	WEIGHT*
Ø16-3/4"	Ø14-3/8"	See Template	1/32/40 pcs.	7/260/260 lbs.

\*Standard packaging: Single boxed /Pallet of single boxed/Pallet of bulk pack.  
All dimensions are in inches. Specifications subject to change without notice.

### Installation profile



Project/Job name \_\_\_\_\_

Architect/Engineer \_\_\_\_\_

Contractor \_\_\_\_\_

Model \_\_\_\_\_ Q'ty \_\_\_\_\_

Notes \_\_\_\_\_