

## OPUS SERIES

### Lavatory Oval Sink

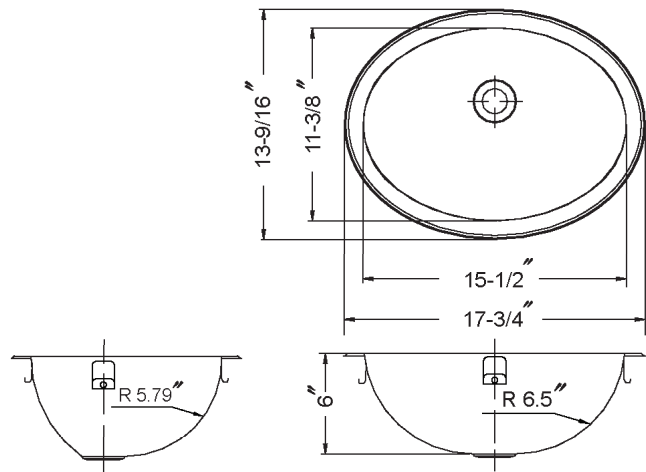
- Model CH-1800** Undermount  
**CHO-1800** Undermount with overflow  
**CHT-1800** Topmount  
**CHTO-1800** Topmount with overflow



CH-1800

### FEATURES

- Premium grade T-304 stainless steel
- 6" depth • 18 gauge
- StoneGuard™ undercoating
- SpecPlus™ edge
- Lustrous satin with highlighted rim
- Fits 24" sink base
- 1-1/2" drain opening
- Supplied with cutout template, fasteners and instructions
- Complies with ASME A112.19.3-2000, UPC®
- Lifetime Limited Warranty



### OPTIONAL ACCESSORIES

- Grid Drain : FD-10  
 Overflow Assembly : OD-10

| OVERALL DIMENSIONS | EACH BOWL         | CUTOUT SIZE  | PACKAGING*   | WEIGHT*        |
|--------------------|-------------------|--------------|--------------|----------------|
| 17-3/4" x 13-9/16" | 15-1/2" x 11-3/8" | See Template | 1/32/40 pcs. | 7/260/260 lbs. |

\*Standard packaging: Single boxed /Pallet of single boxed/Pallet of bulk pack.  
 All dimensions are in inches. Specifications subject to change without notice.

Project/Job name \_\_\_\_\_

Architect/Engineer \_\_\_\_\_

Contractor \_\_\_\_\_

Model \_\_\_\_\_ Q'ty \_\_\_\_\_

Notes \_\_\_\_\_

### Installation profile

