

## ADA TOPMOUNT SERIES

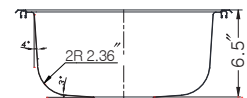
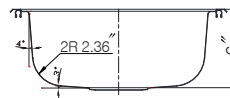
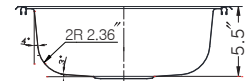
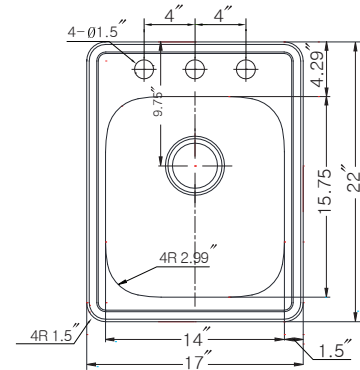
### Topmount Single Bowl Model A1722



A1722

#### FEATURES

- Premium grade T-304 stainless steel
- 5", 5.5", 6", 6.5" depth
- 18 gauge • 3 holes
- StoneGuard™ undercoating over Super-Silencer pad
- Lustrous satin with highlighted rim
- Fits 21" sink base • 3-1/2" drain opening
- Supplied with cutout template, fasteners and instructions
- Complies with ASME A112.19.3-2000, cUPC®
- Lifetime Limited Warranty



#### OPTIONAL ACCESSORIES

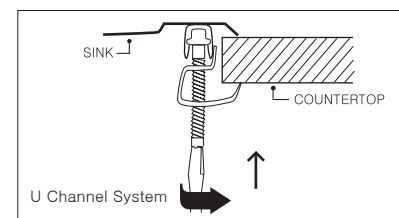
Cutting Board : CB-2500

Strainer: 190-9180

OVERALL DIMENSIONS	EACH BOWL	CUTOUT SIZE	PACKAGING*	WEIGHT*
17" x 22"	14" x 15.75"	See Template	1/16/40 pcs.	10/200/340 lbs.

\*Standard packaging: Single boxed /Pallet of single boxed/Pallet of bulk pack.  
All dimensions are in inches. Specifications subject to change without notice.

#### Installation profile



Project/Job name \_\_\_\_\_

Architect/Engineer \_\_\_\_\_

Contractor \_\_\_\_\_

Model \_\_\_\_\_ Q'ty \_\_\_\_\_

Notes \_\_\_\_\_