








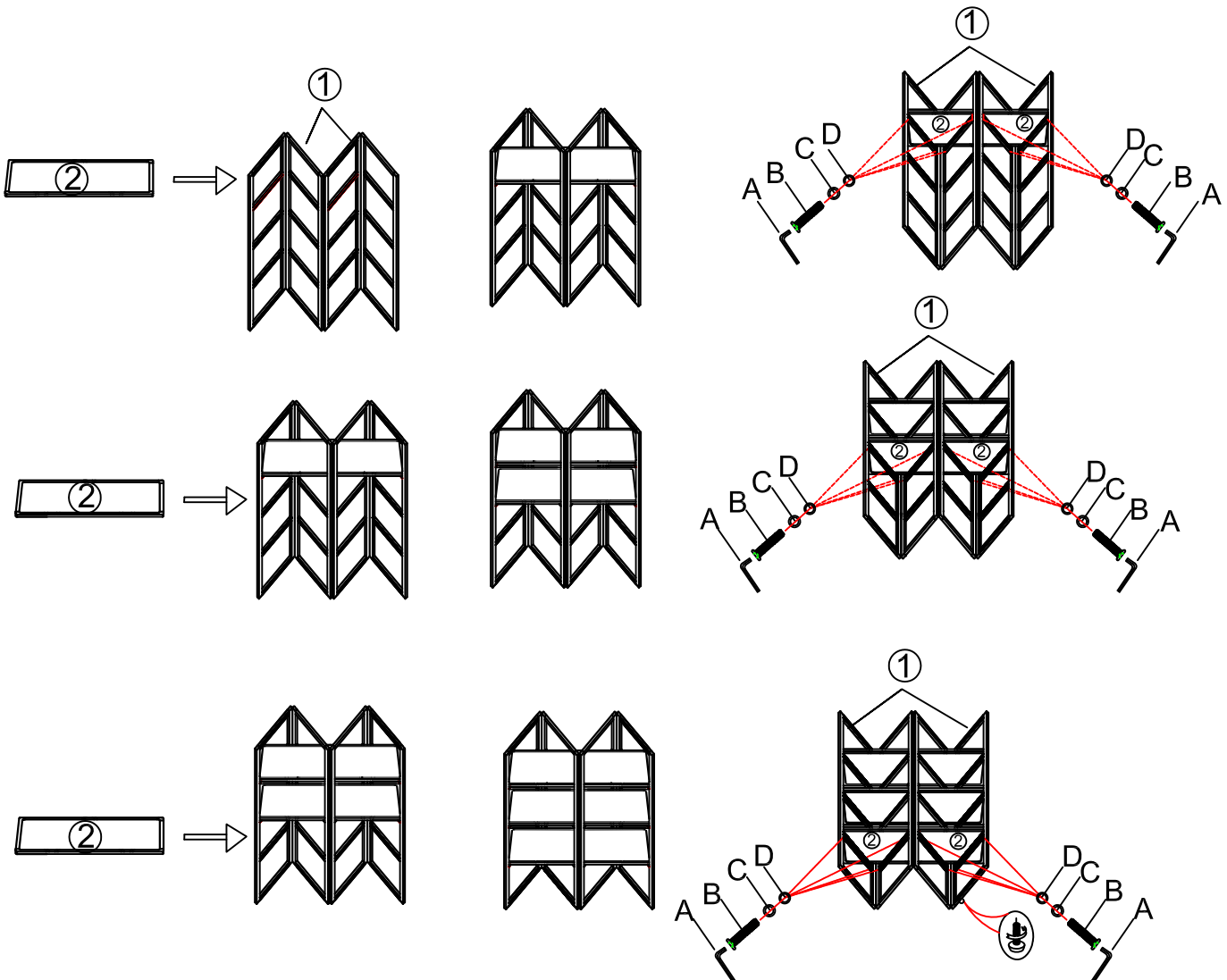
Thank you for purchasing this quality product. Be sure to unpack carefully looking for small parts which may have come loose during shipment.

Read all instruction and study the drawing carefully before starting the assembly process.

HARDWARE PACK				
NO.	DRAWING	DESCRIPTION	SIZE	Q'TY
A		Allen Wrench	69*27.2*4mm	1 PC
B		Bolt	1/4"	24 PCS
C		Lock Washer	1/4"	24 PCS
D		Flat Washer	1/4"	24 PCS
E		Anti - Tip Kit		1 PC

PARTS LIST			
NO.	DRAWING	DESCRIPTION	Q'TY
①		Frame	2 PCS
②		Shelf	3 PCS

**Note: Follow the number tags sticking on the wooden parts during assembly.**

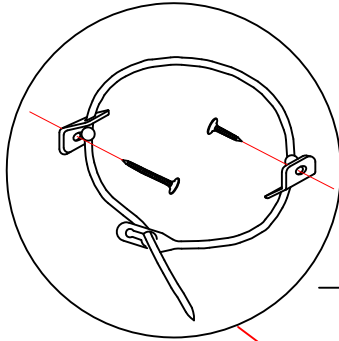


Note: Anti-tip kit restraint is provided. Please follow the instructions enclosed with the pack.

Thank you for purchasing this quality product. Be sure to unpack carefully looking for small parts which may have come loose during shipment.

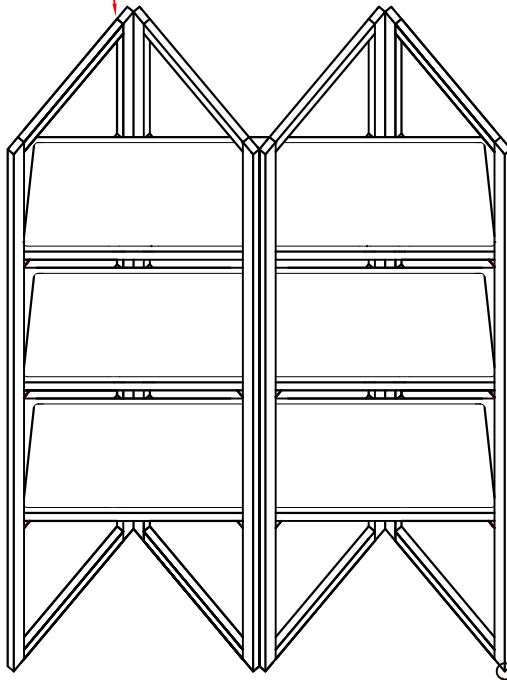
Read all instruction and study the drawing carefully before starting the assembly process.

## Tipping Restraint



Anti-tip kit is included for use.  
We recommend installing for safety reason.

E



Adjust leveler if needed  
to level Etageres on  
uneven floor.

