









ASSEMBLY INSTRUCTION

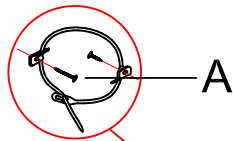
ITEM: 6950-10446-80 Slatted Bookcase
6950-10446-99 Slatted Bookcase

Thank you for purchasing this quality product. Be sure to unpack carefully looking for small parts which may have come loose during shipment.
Read all instruction and study the drawing carefully before starting the assembly process.

HARDWARE LIST				
NO.	DRAWING	DESCRIPTION	SIZE	Q'TY
A		Anti-Tip Kit		1PC
B		Screw	1 1/4"	2PCS
C		Allen Wrench	69*27.2*4mm	1PC
D		Bolt	1/4"	2PCS

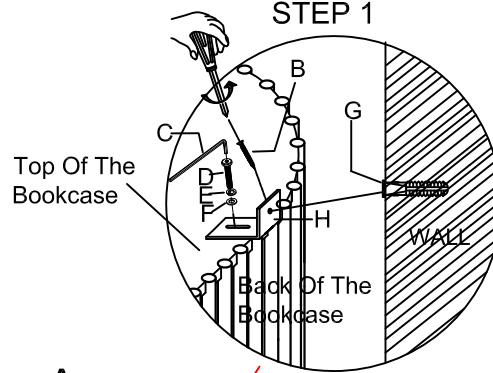
HARDWARE LIST				
NO.	DRAWING	DESCRIPTION	SIZE	Q'TY
E		Lock Washer	1/4"	2PCS
F		Flat Washer	1/4"	2PCS
G		Plastic Anchor	∅9*30mm	2PCS
H		Hanger	75*30*38mm	2PCS

Anti-tip kit is included for use. We recommend installing for safety reason.

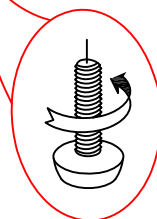
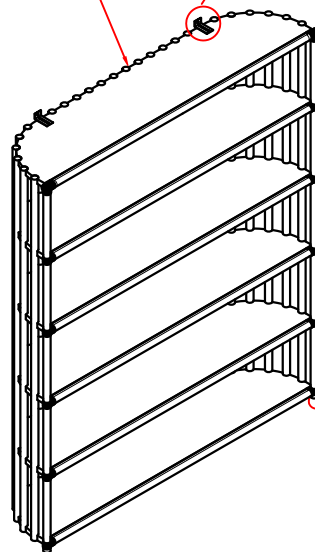


Tipping Restraint

STEP 1



Mount the hanger (H) to top of Bookcase, then attach the Bookcase to a wall.



STEP 2

Adjust leveler if needed to level bookcase on uneven floor.