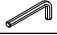

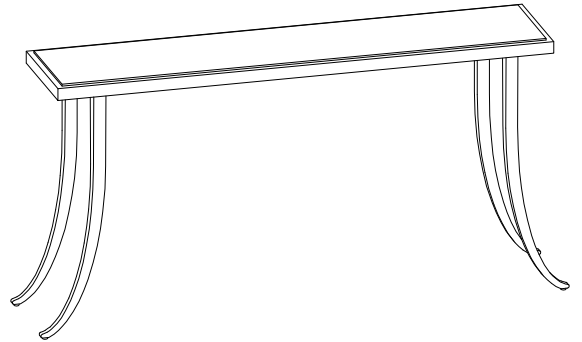


Thank you for purchasing this quality product. Be sure to unpack carefully looking for small parts which may have come loose during shipment.

Read all instruction and study the drawing carefully before starting the assembly process:

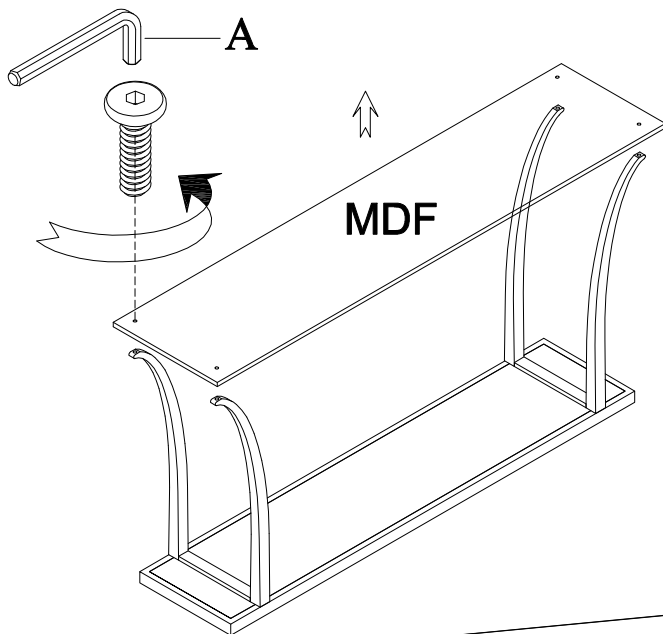
HARDWARE PACK

NO	DRAWING	DESCRIPTION	SIZE	Q'TY
A		Allen wrench	4mm	1pc
B		Leveler	Ø12*3mm	4pcs



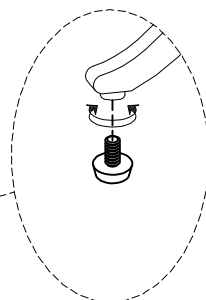
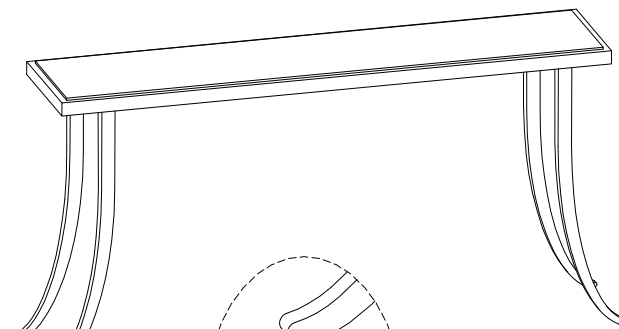
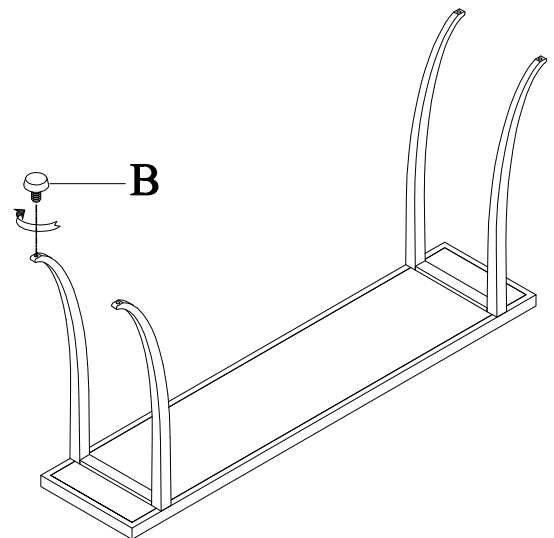
Step 1

Remove MDF



Step 2

Attach leveler into the table leg



Adjust leveler if needed to level case on uneven floor