


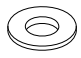
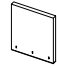
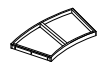
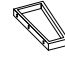
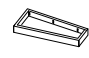
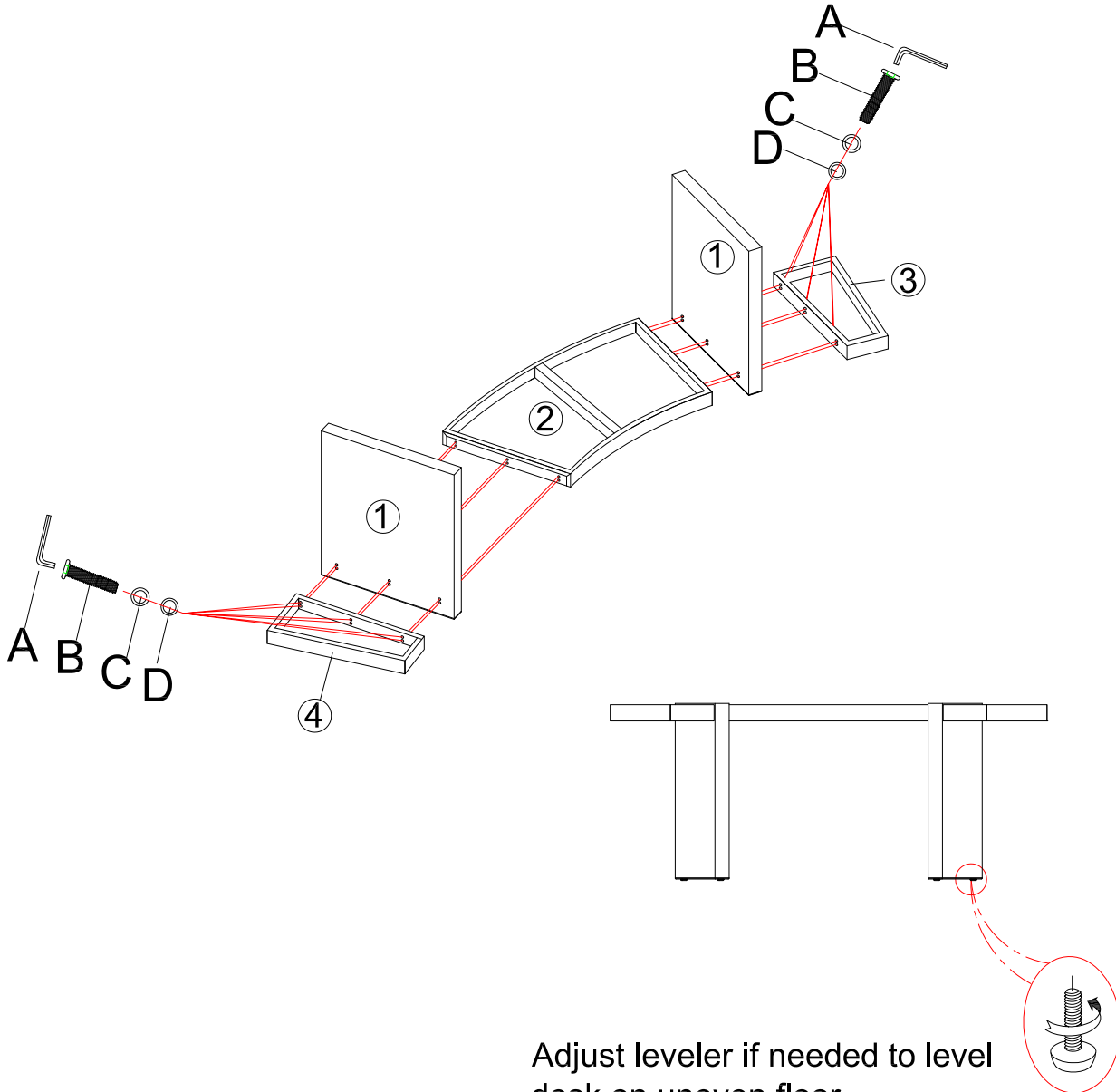


Thank you for purchasing this quality product. Be sure to unpack carefully looking for small parts which may have come loose during shipment.

Read all instruction and study the drawing carefully before starting the assembly process.

HARDWARE PACK				
NO.	DRAWING	DESCRIPTION	SIZE	Q'TY
A		Allen Wrench	73*29*5mm	1 PC
B		Bolt	5/16"	12 PCS
C		Lock Washer	5/16"	12 PCS
D		Flat Washer	5/16"	12 PCS

PARTS LIST			
NO.	DRAWING	DESCRIPTION	Q'TY
1		Leg Base	2 PCS
2		Center Top Panel	1 PC
3		Side Top Panel	1 PC
4		Side Top Panel	1 PC



Adjust leveler if needed to level desk on uneven floor.

