






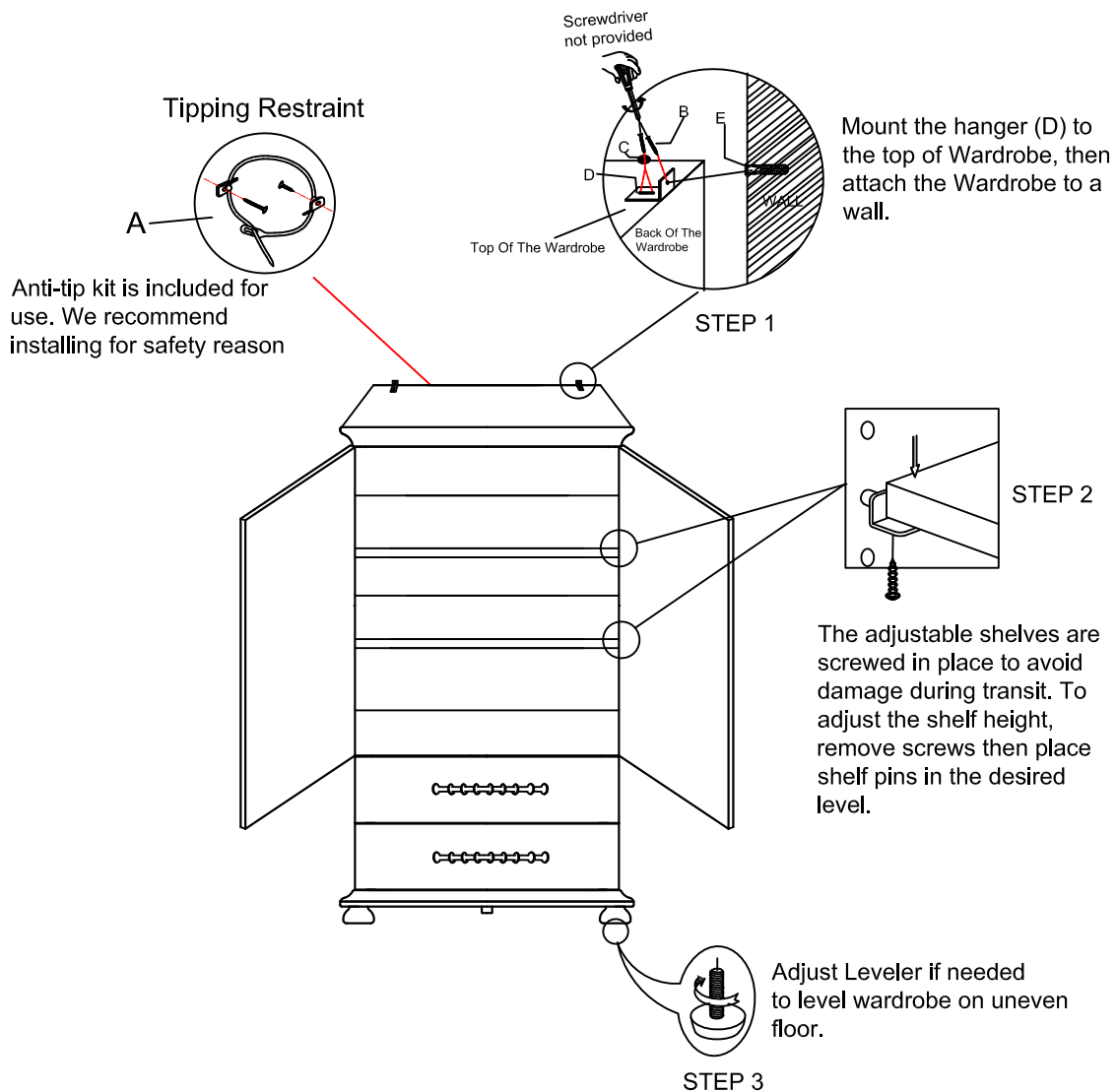
# ASSEMBLY INSTRUCTION

ITEM: 6700-90213-98 Small Wardrobe

Thank you for purchasing this quality product. Be sure to unpack carefully looking for small parts which may have come loose during shipment.

Read all instruction and study the drawing carefully before starting the assembly process.

HARDWARE LIST				
NO.	DRAWING	DESCRIPTION	SIZE	Q'TY
A		Anti - Tip Kit		1PC
B		Screw	1 1/4"	6PCS
C		Flat Washer	1/4"	4PCS
D		Hanger	75*30*38mm	2PCS
E		Plastic Anchor	∅ 9*30mm	2PCS



Note: Anti-tip kit restraint is provided. Please follow the instructions enclosed with the pack.