
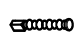








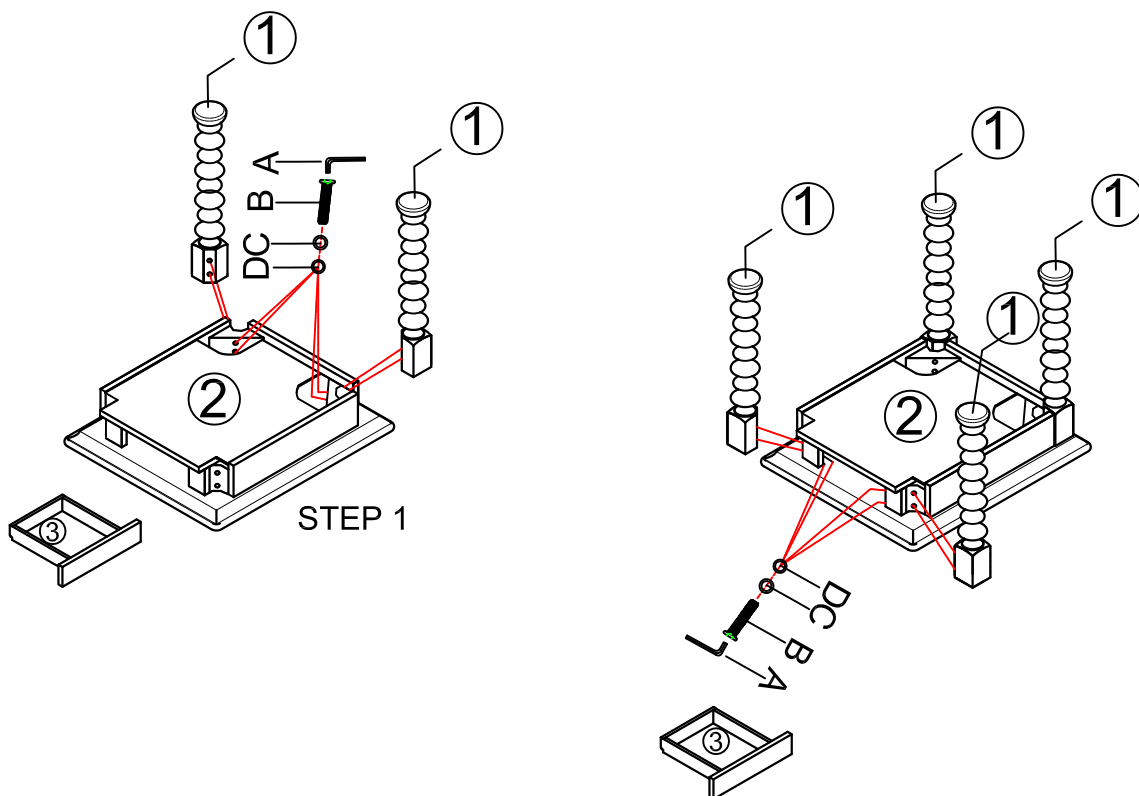
ITEM: 6700-80313-98 Turned Leg End Table

Thank you for purchasing this quality product. Be sure to unpack carefully looking for small parts which may have come loose during shipment.

Read all instruction and study the drawing carefully before starting the assembly process .

HARDWARE PACK					PART LIST			
NO.	DRAWING	DESCRIPTION	SIZE	Q'TY	NO.	DRAWING	DESCRIPTION	Q'TY
A		Allen Wrench	5mm	1PC	①		Leg	4PCS
B		Bolt	$\frac{5}{16}$ "	8PCS	②		Table Top	1PC
C		Lock Washer	$\frac{5}{16}$ "	8PCS	③		Drawer	1PC
D		Flat Washer	$\frac{5}{16}$ "	8PCS				
E		Anti-Tip Kit		1PC				

Note: Follow numbers on legs (1) and corner blocks during assembly.



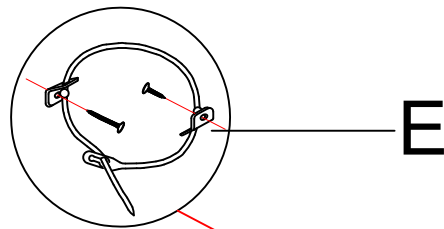
Step 1: Attach legs (1) to table top (2), well put the drawer (3) back to the table.

ITEM: 6700-80313-98 Turned Leg End Table

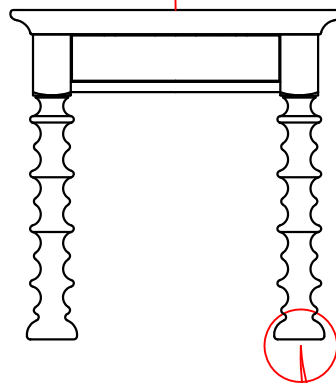
Thank you for purchasing this quality product. Be sure to unpack carefully looking for small parts which may have come loose during shipment.

Read all instruction and study the drawing carefully before starting the assembly process .

Tipping Restraint



Anti-tip kit is included for use.
We recommend installing for
safety reason



STEP 2

Adjust Leveler if needed
to level table on uneven
floor.

