


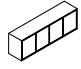


Thank you for purchasing this quality product. Be sure to unpack carefully looking for small parts which may have come loose during shipment.

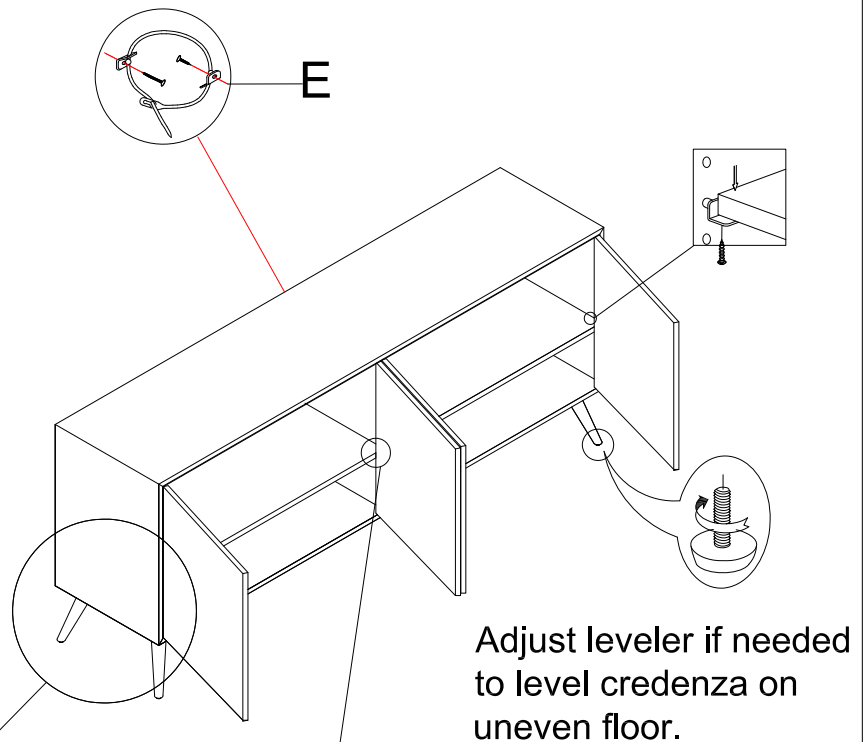
Read all instruction and study the drawing carefully before starting the assembly process.

HARDWARE PACK				
NO.	DRAWING	DESCRIPTION	SIZE	Q'TY
A		Allen Wrench	73x29x5mm	1 PC
B		Bolt	Ø5/16"	8 PCS
C		Lock Washer	Ø5/16"	8 PCS
D		Flat Washer	Ø5/16"	8 PCS
E		Anti - Tip Kit		1 PC

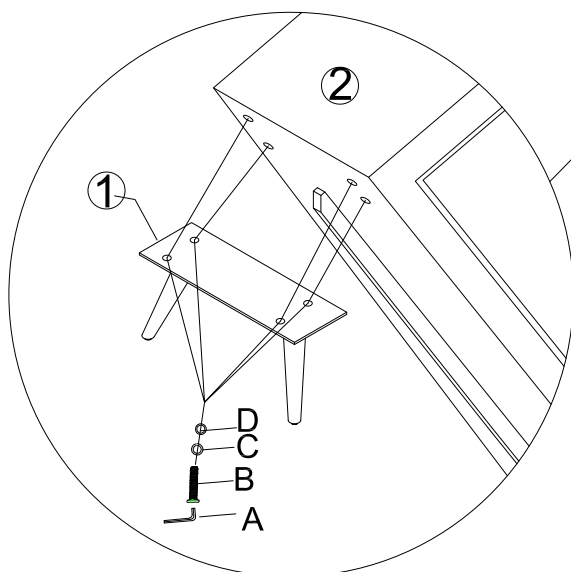
PARTS LIST			
NO.	DRAWING	DESCRIPTION	Q'TY
1		Metal Leg	2 PCS
2		Case Body	1 PC

Tipping Restraint

Anti-tip kit is included for use. We recommend installing for safety reason.



STEP 1



The adjustable shelves are screwed in place to avoid damage during transit. To adjust the shelf height, remove screws then place shelf pins in the desired level.

Note: Anti-tip kit restraint is provided. Please follow the instructions enclosed with the pack.