

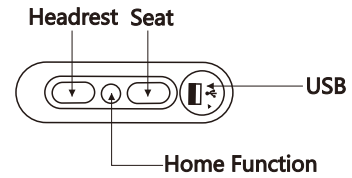
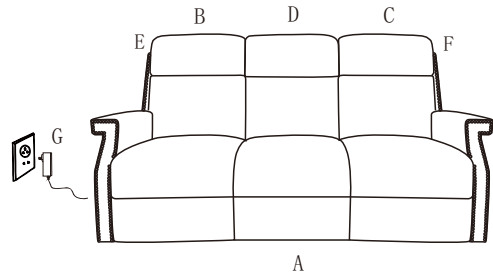
ASSEMBLY INSTRUCTION

7656-53HP/SS106-PHZ3

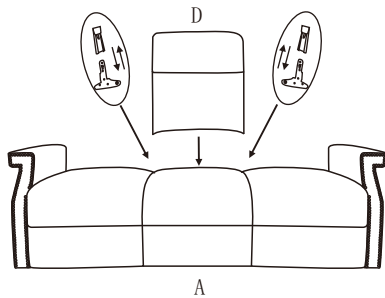
Read instruction carefully prior to assembly.

Thank you for purchasing this quality product. Check carefully for small parts which may have come loose during shipment. Remove all components from pack and place them on soft surface such as carpet or cloth to prevent scratching. Identify and count all parts as specified below.

Parts List			
NO .	DESCRIP TION	SKETCH	QTY
A	Seat		1PC
B	Left Back Cushion		1PC
C	Right Back Cushion		1PC
D	Middle Back Cushion		1PC
E	Left Wing		1PC
F	Right Wing		1PC
G	Power cord		1PC

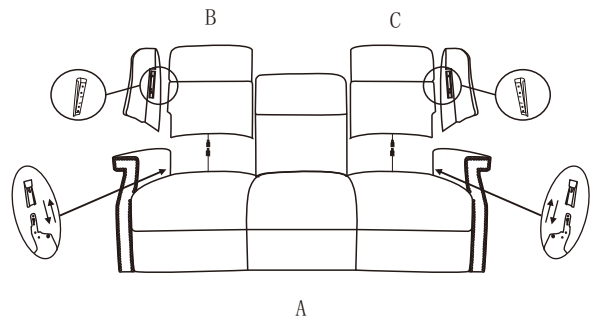


①



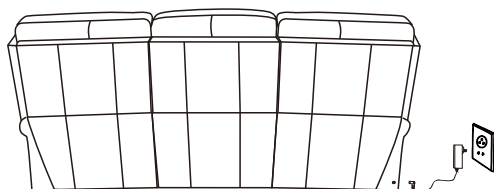
1. Place Bracket into Sleeve and press top of back down firmly to lock your KD back in place

②



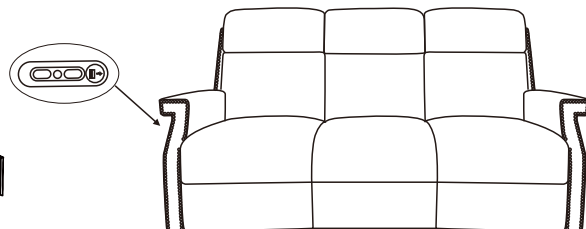
2. Place Bracket into Sleeve and press top of back down firmly to lock your KD back and KD wings in place
Connect the connector of back and seat.

③



3. Connect the connector from motor to the power cord and transformer

④



4. Use the handcontroller to enjoy your Hooker® Furniture

CAUTION

Do not allow children to play on this mechanism furniture or operate the mechanism. Leg rest folds down on closing so that child could possibly be injured. Always leave in an upright and closed position and keep hands feet clear of mechanism. Only the occupant should operate it.







MADE IN VIETNAM

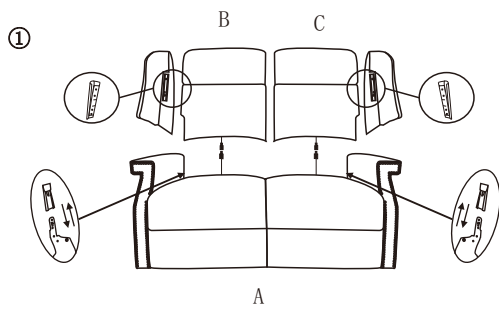
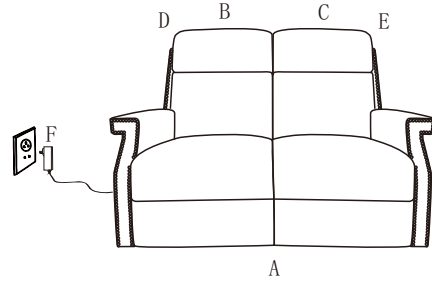
ASSEMBLY INSTRUCTION

7656-52HP/SS106-PHZ2

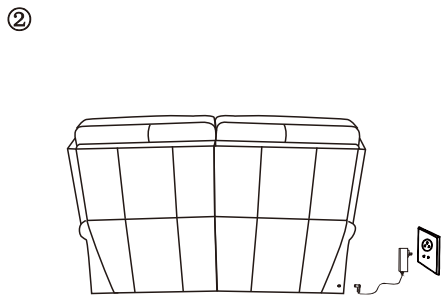
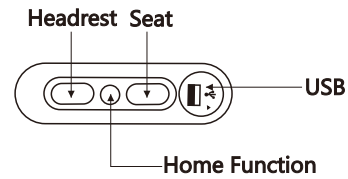
Read instruction carefully prior to assembly.

Thank you for purchasing this quality product. Check carefully for small parts which may have come loose during shipment. Remove all components from pack and place them on soft surface such as carpet or cloth to prevent scratching. Identify and count all parts as specified below.

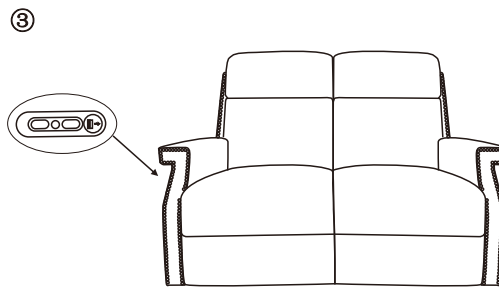
Parts List			
NO .	DESCRIP TION	SKETCH	QTY
A	Seat		1PC
B	Left Back Cushion		1PC
C	Right Back Cushion		1PC
D	Left Wing		1PC
E	Right Wing		1PC
F	Power cord		1PC



1. Place Bracket into Sleeve and press top of back down firmly to lock your KD back and KD wings in place. Connect the connector of back and seat.



2. Connect the connector from motor to the power cord and transformer



3. Use the handcontroller to enjoy your Hooker® Furniture

CAUTION

Do not allow children to play on this mechanism furniture or operate the mechanism. Leg rest folds down on closing so that child could possibly be injured. Always leave in an upright and closed position and keep hands feet clear of mechanism. Only the occupant should operate it.






MADE IN VIETNAM

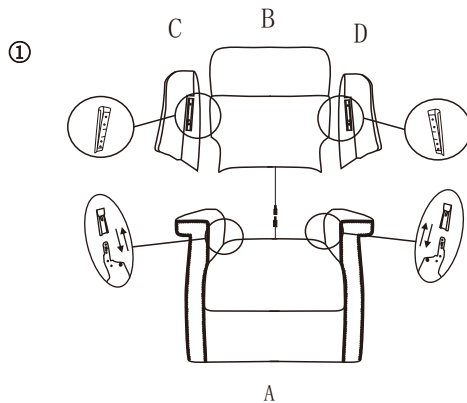
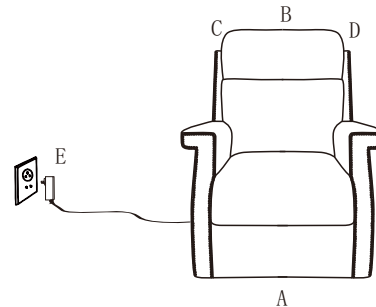
ASSEMBLY INSTRUCTION

7656-50HP/SS106-PHZ1

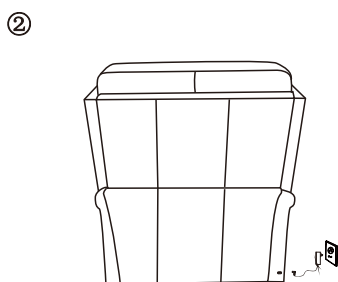
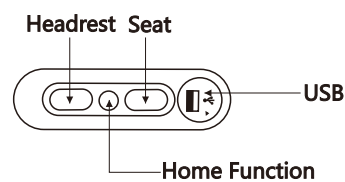
Read instruction carefully prior to assembly.

Thank you for purchasing this quality product. Check carefully for small parts which may have come loose during shipment. Remove all components from pack and place them on soft surface such as carpet or cloth to prevent scratching. Identify and count all parts as specified below.

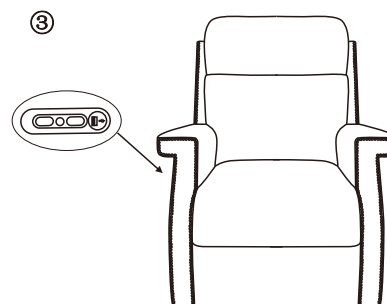
Parts List			
NO .	DESCRIP TION	SKETCH	QTY
A	Seat		1PC
B	Back Cushion		1PC
C	Left Wing		1PC
D	Right Wing		1PC
E	Power cord		1PC



1. Place Bracket into Sleeve and press top of back down firmly to lock your KD back and KD wings in place. Connect the connector of back and seat.



2. Connect the connector from motor to the power cord and transformer



3. Use the handcontroller to enjoy your Hooker® Furniture

CAUTION

Do not allow children to play on this mechanism furniture or operate the mechanism. Leg rest folds down on closing so that child could possibly be injured. Always leave in an upright and closed position and keep hands feet clear of mechanism. Only the occupant should operate it.

MADE IN VIETNAM