





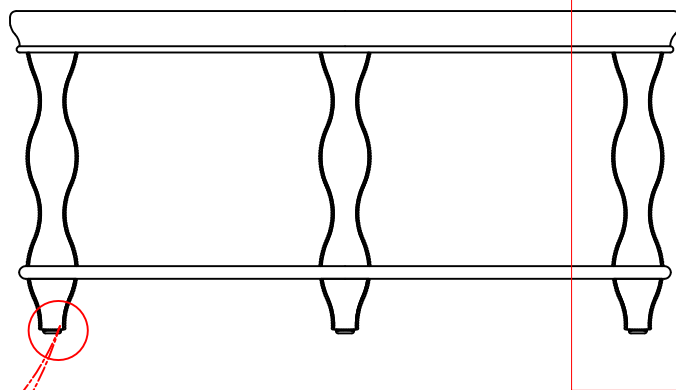
ASSEMBLY INSTRUCTION

ITEM: 6350-80111-80 Bahari Round Cocktail Table

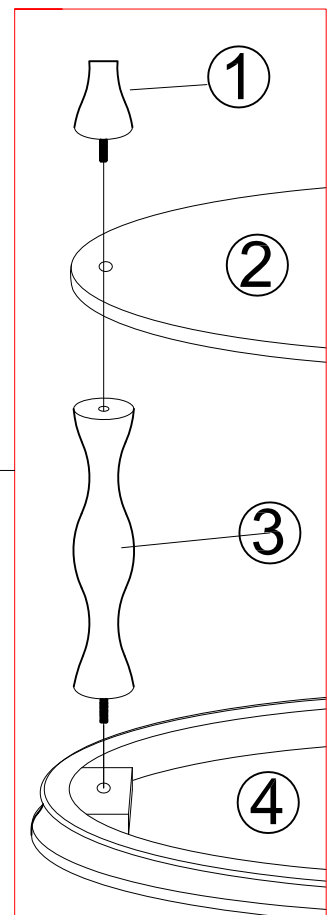
Thank you for purchasing this quality product. Be sure to unpack carefully looking for small parts which may have come loose during shipment.

Read all instruction and study the drawing carefully before starting the assembly process.

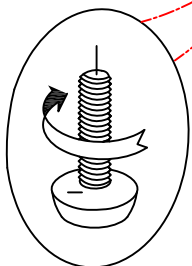
PARTS LIST			
NO.	DRAWING	DESCRIPTION	Q'TY
1		Bottom Leg	4 PCS
2		Bottom Shelf	1 PC
3		Middle Post	4 PCS
4		Table Top	1 PC



STEP 2



STEP 1



STEP 3

Adjust leveler if needed to level table on uneven floor.