









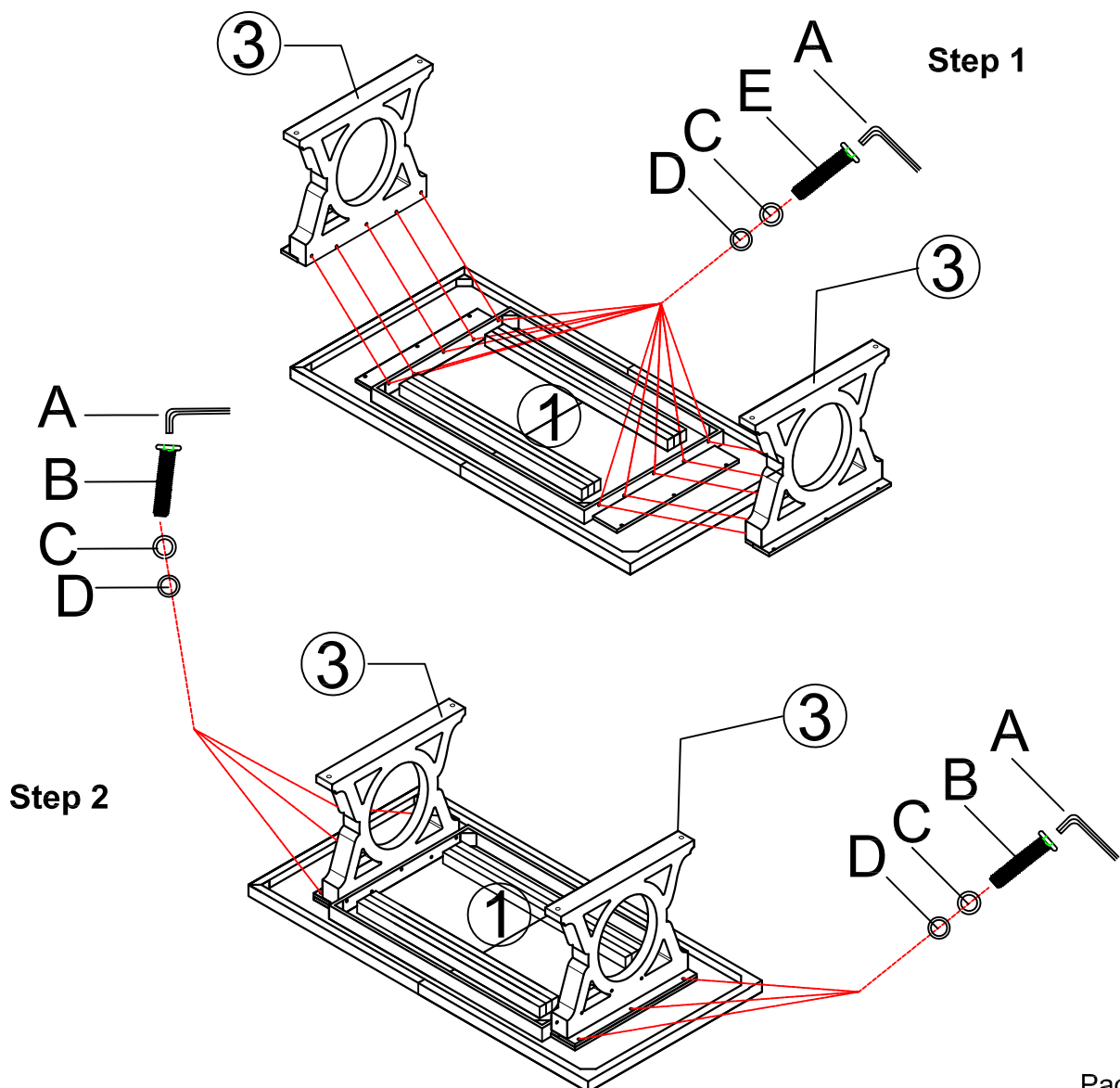
HOOKER[®] ASSEMBLY INSTRUCTION

— FURNITURE — ITEM: 6350-75207-80 Topsail Rectangle Dining Table w/2-18in Leaves

Thank you for purchasing this quality product. Be sure to unpack carefully looking for small parts which may have come loose during shipment.
Read all instruction and study the drawing carefully before starting the assembly process.

HARDWARE PACK				
NO.	DRAWING	DESCRIPTION	SIZE	Q'TY
A		Allen Wrench	73*29*5mm	1 PC
B		Bolt	5/16*35mm	6 PCS
C		Lock Washer	Ø5/16"	16 PCS
D		Flat Washer	Ø5/16"	16 PCS
E		Bolt	5/16*45mm	10 PCS

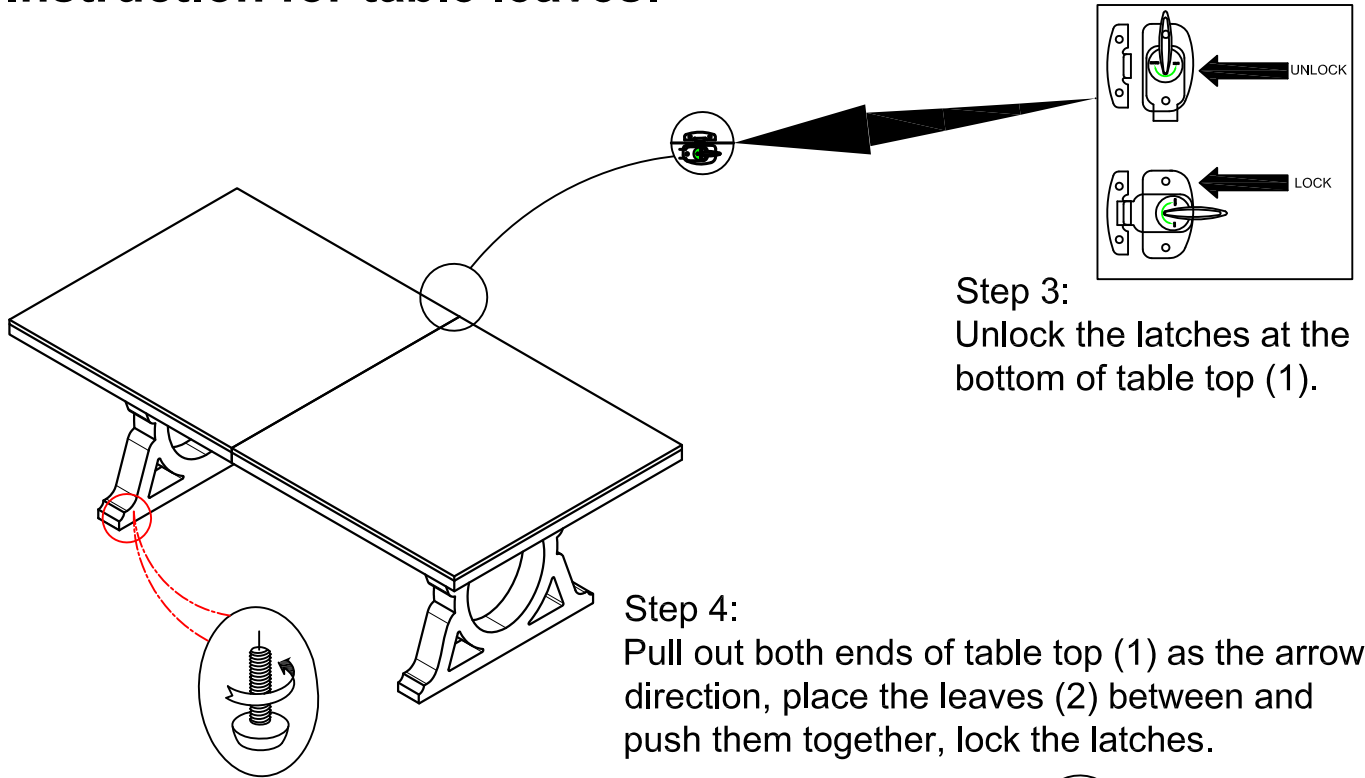
PARTS LIST			
NO.	DRAWING	DESCRIPTION	Q'TY
1		Table Top	1 PC
2		Leaf	2 PCS
3		Pedestal	2 PCS



Thank you for purchasing this quality product. Be sure to unpack carefully looking for small parts which may have come loose during shipment.

Read all instruction and study the drawing carefully before starting the assembly process.

Instruction for table leaves:



Adjust leveler if needed to level table on uneven floor.

