



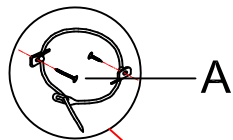
Thank you for purchasing this quality product. Be sure to unpack carefully looking for small parts which may have come loose during shipment.

Read all instruction and study the drawing carefully before starting the assembly process.

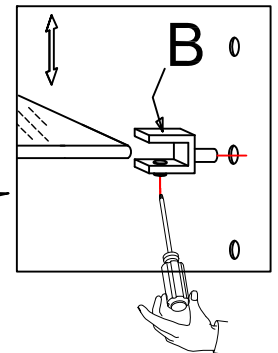
HARDWARE PACK

| NO. | DRAWING | DESCRIPTION | SIZE | Q'TY |
|-----|---|----------------|---------|-------|
| A |  | Anti - Tip Kit | | 1 PC |
| B |  | Shelf Pin | 21*30MM | 8 PCS |

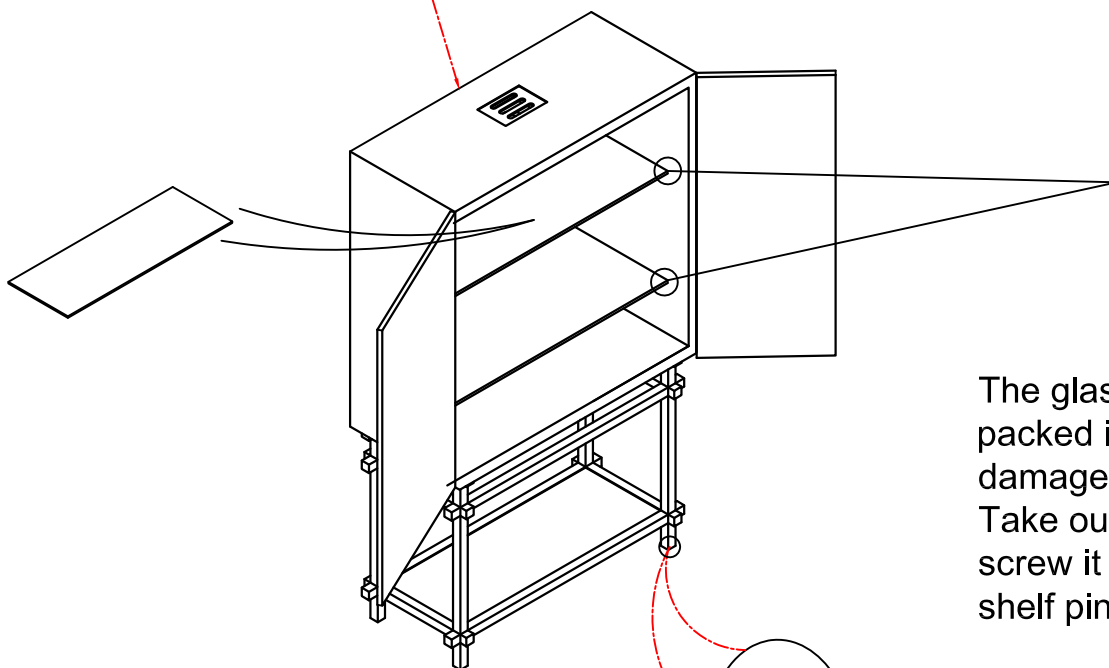
Tipping Restraint



Anti-tip kit is included for use. We recommend installing for safety reason.



The glass shelves are packed in inner box to avoid damage during transit. Take out glass shelves and screw it to the cabinet with shelf pins (B).



Adjust leveler if needed to level cabinet on uneven floor.

