

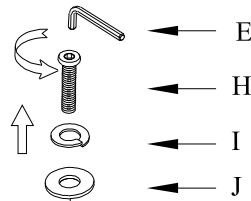
Item: 6150-75206-85 Norwood Friendship Table

Thank you for purchasing this quality product. Be sure to unpack carefully looking for small parts which may have come loose during shipment.

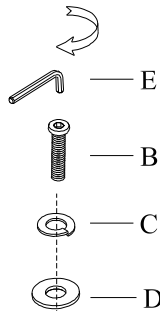
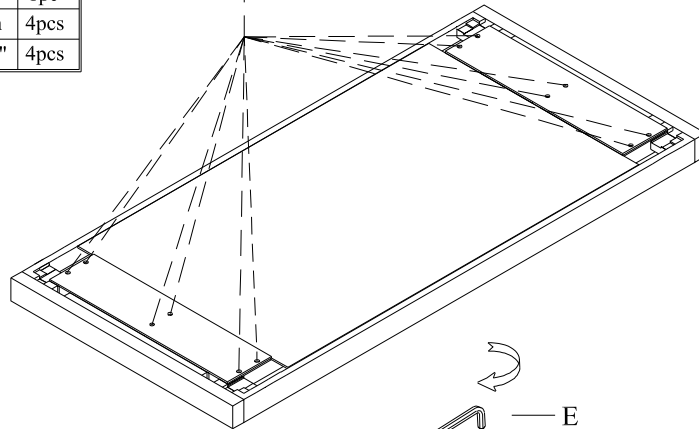
Read all instruction and study the drawing carefully before starting the assembly process:

HARDWARE PACK

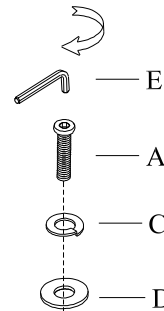
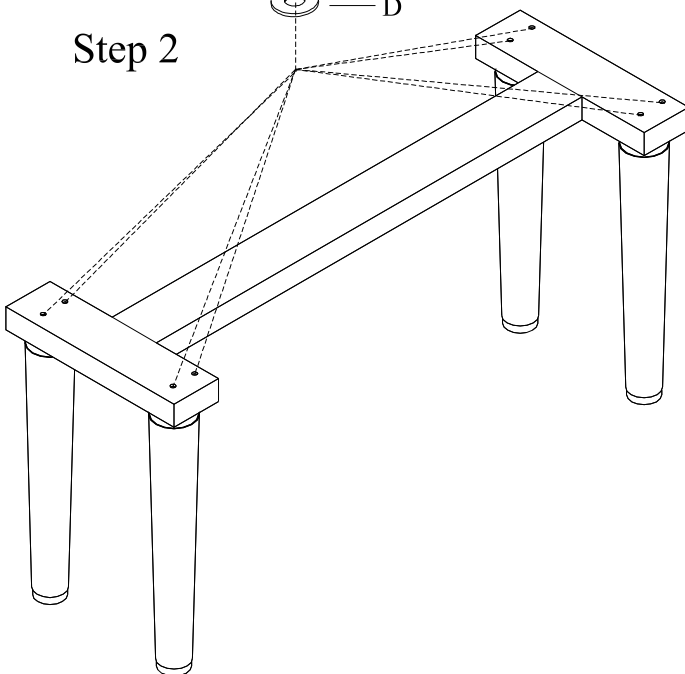
NO	DRAWING	DESCRIPTION	SIZE	Q'TY
A		Hexagonal Bolt	Φ5/16"*2"	4pcs
B		Hexagonal Bolt	Φ5/16"*3"	8pcs
C		Lock Washer	Φ5/16"*12*3	12pcs
D		Flat Washer	Φ5/16"*19*2	12pcs
E		Allen Wrench	5MM	1pc
F		Pipe Metal	Φ14"*143mm	4pcs
G		Threaded Rod	Φ5/16"*2-1/4"	4pcs



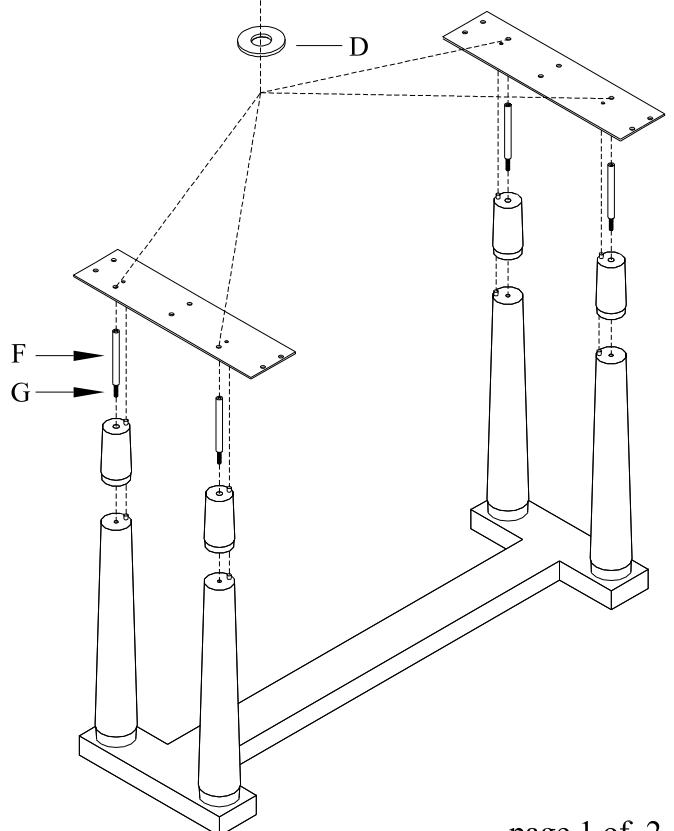
Step 1



Step 2



Step 3

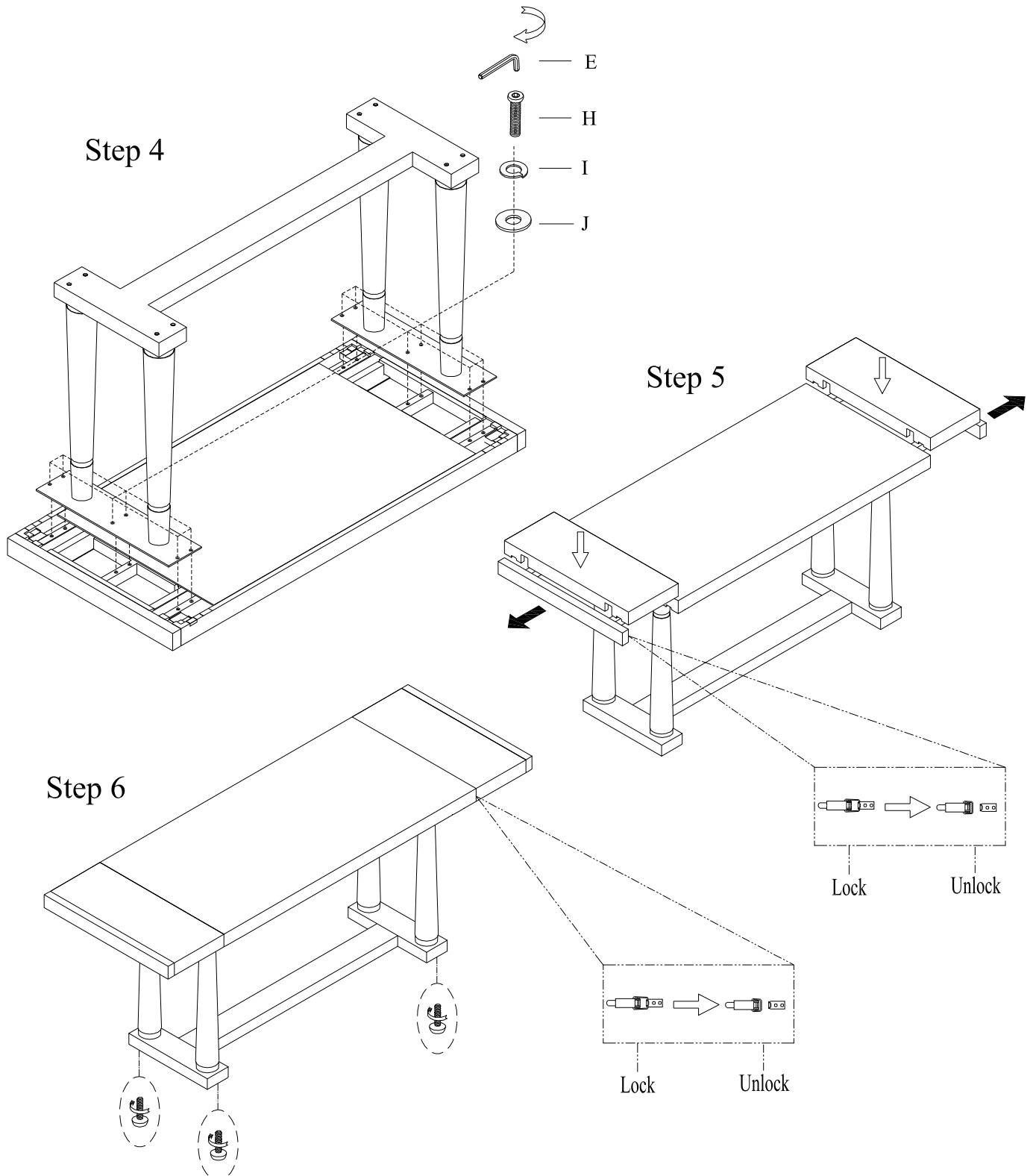


Adjust levelers if needed, to level case on uneven floor

Item: 6150-75206-85 Norwood Friendship Table

Thank you for purchasing this quality product. Be sure to unpack carefully looking for small parts which may have come loose during shipment.

Read all instruction and study the drawing carefully before starting the assembly process:



Adjust levelers if needed, to level case on uneven floor