






ASSEMBLY INSTRUCTION

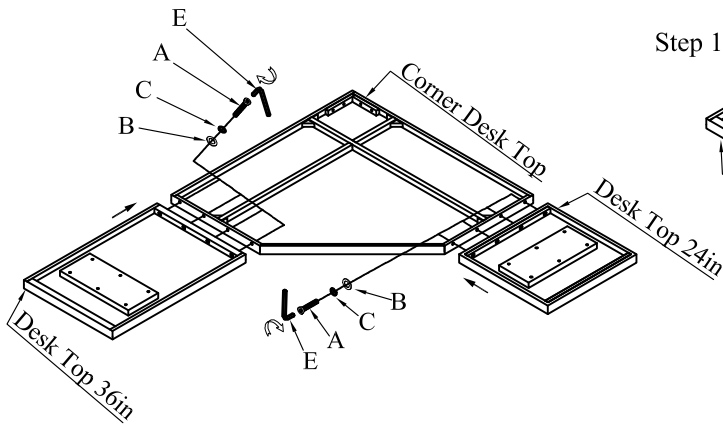
Item: 6150-10024-85 Desk Top 24in
 6150-10049-85 Corner Desk Top
 6150-10036-85 Desk Top 36in
 6150-10466-85 Lateral File
 6150-10416-85 Lateral File

Thank you for purchasing this quality product. Be sure to unpack carefully looking for small parts which may have come loose during shipment.

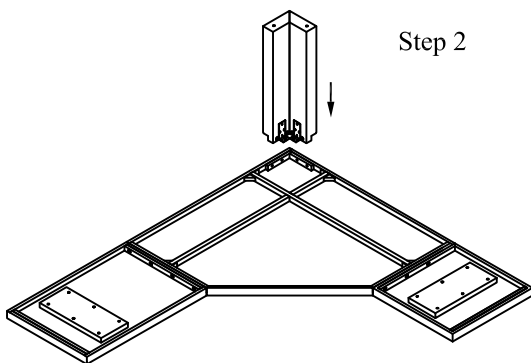
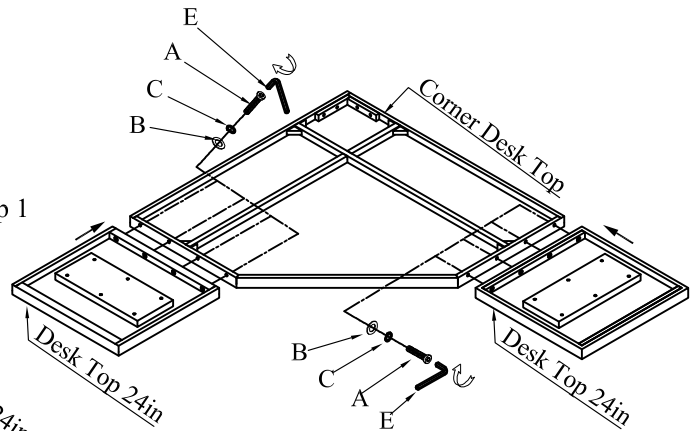
Read all instruction and study the drawing carefully before starting the assembly process:

HARDWARE PACK

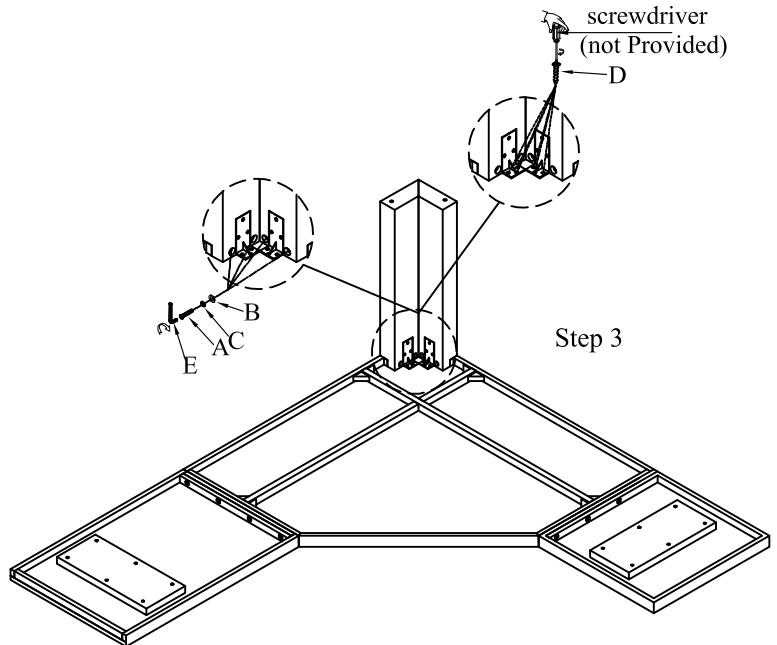
NO	DRAWING	DESCRIPTION	SIZE	Q'TY
A		Hexagonal Bolt	Ø1/4"*2"	12pcs
B		Flat Washer	Ø1/4"*16*2	12pcs
C		Lock Washer	Ø1/4"*12*3	12pcs
D		Screw	8#*3/4"	6pcs
E		Allen Wrench	4mm	1pc



Step 1



Step 2



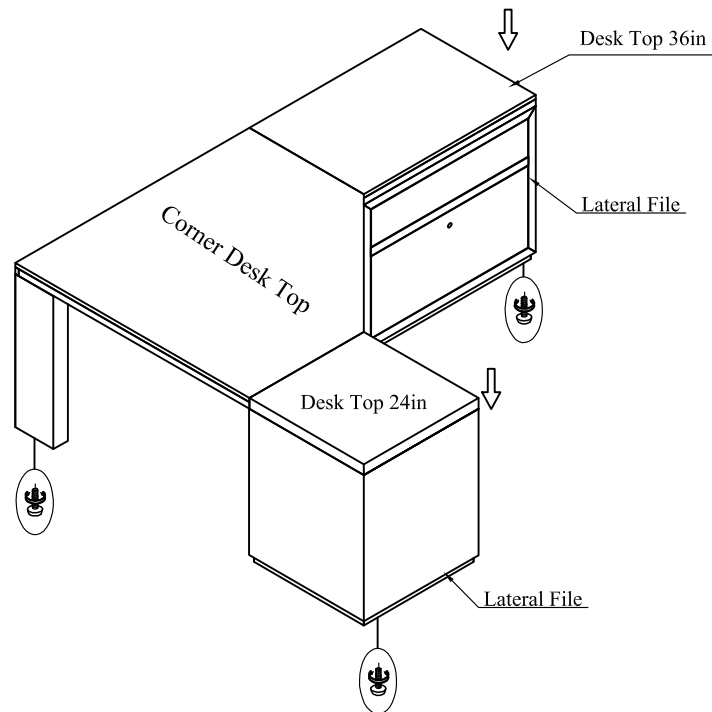
Step 3

Adjust levelers if needed, to level case on uneven floor

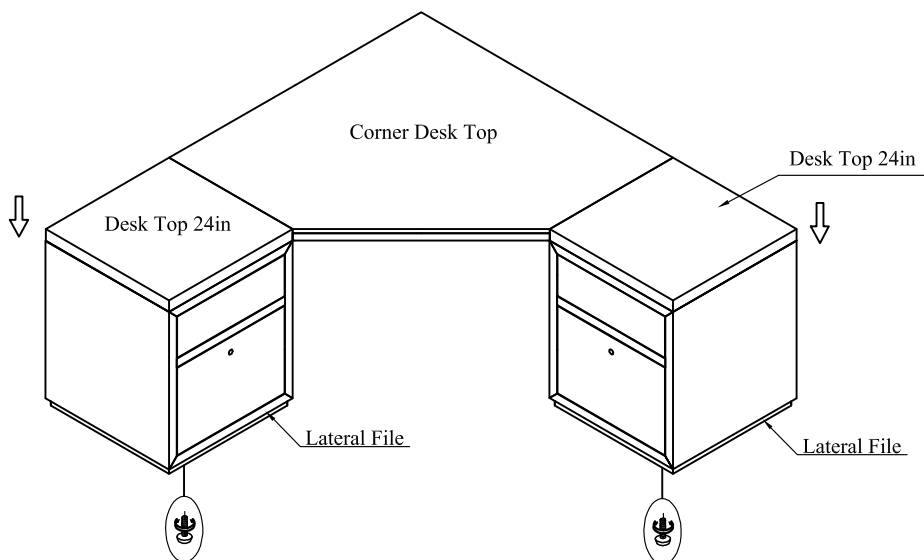
ASSEMBLY INSTRUCTION

Item: 6150-10024-85 Desk Top 24in
6150-10049-85 Corner Desk Top
6150-10036-85 Desk Top 36in
6150-10466-85 Lateral File
6150-10416-85 Lateral File

Thank you for purchasing this quality product. Be sure to unpack carefully looking for small parts which may have come loose during shipment.
Read all instruction and study the drawing carefully before starting the assembly process:



Step 4



Adjust levelers if needed, to level case on uneven floor