








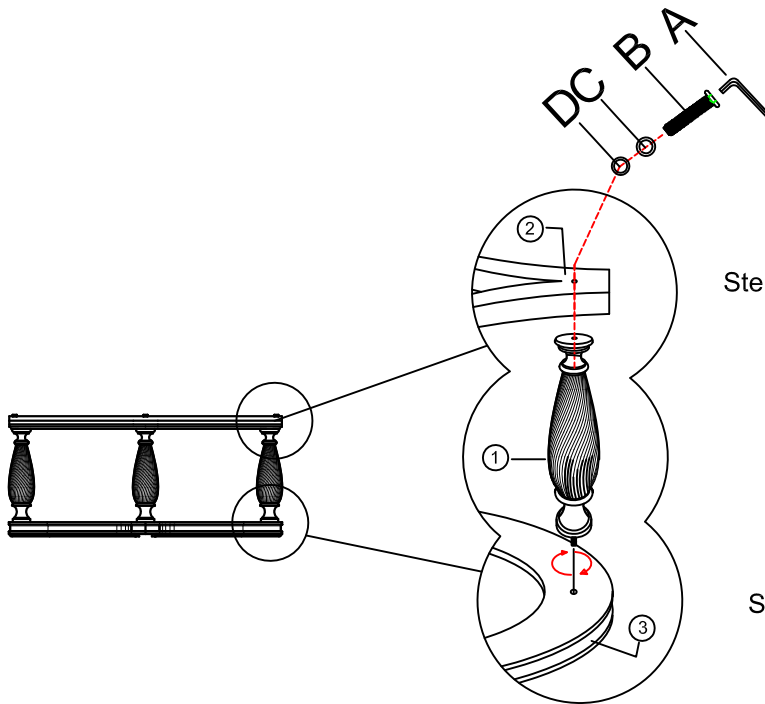
ASSEMBLY INSTRUCTION

ITEM: 5961-80111-02 Round Cocktail Table
5961-80111-35 Round Cocktail Table
5961-80111-89 Round Cocktail Table

Thank you for purchasing this quality product. Be sure to unpack carefully looking for small parts which may have come loose during shipment.
Read all instruction and study the drawing carefully before starting the assembly process.

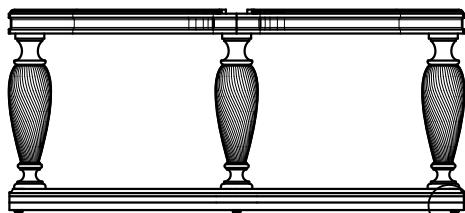
HARDWARE PACK

HARDWARE PACK					PARTS LIST			
NO.	DRAWING	DESCRIPTION	SIZE	Q'TY	NO.	DRAWING	DESCRIPTION	Q'TY
A		Allen Wrench	73*29*5mm	1PC	1		Post	4PCS
B		Bolt	5/16*35mm	4PCS	2		Base Panel	1PC
C		Lock Washer	Ø5/16"	4PCS	3		Top Panel	1PC
D		Flat Washer	Ø5/16"	4PCS				

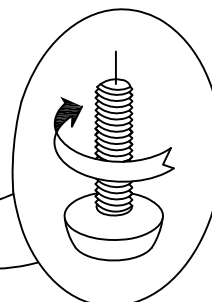


Step 2: Attach base panel (2) to the posts (1).

Step 1: Screw posts (1) to top panel (3).



STEP 3



Adjust Leveler if needed to level table on uneven floor.