




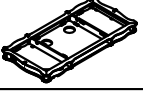





## ITEM: 5961-10562-89 Executive Desk

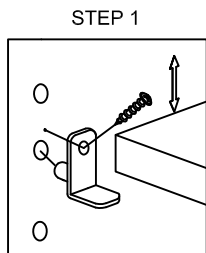
Thank you for purchasing this quality product. Be sure to unpack carefully looking for small parts which may have come loose during shipment.

Read all instruction and study the drawing carefully before starting the assembly process.

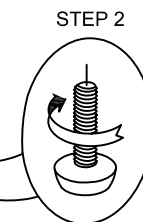
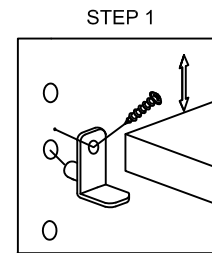
### HARDWARE PACK

NO.	DRAWING	DESCRIPTION	SIZE	QTY
A		Anti - Tip Kit		1PC
B		Allen Wrench	73*29*5mm	1PC

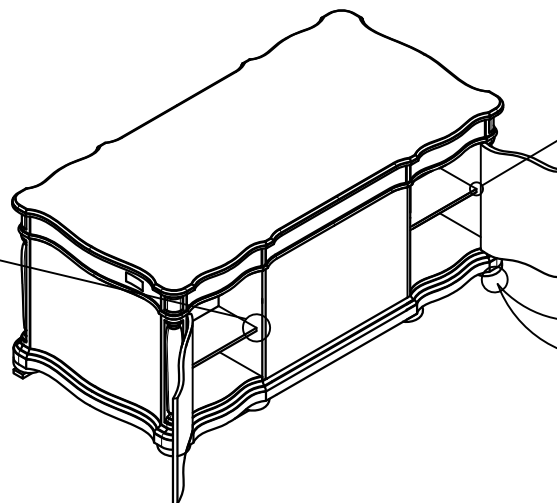
PARTS LIST			
NO.	DRAWING	DESCRIPTION	Q'TY
1		Top Panel	1PC
2		Top Section	1PC
3		Back Panel	1PC
4		Middle Side Drawer	2PCS
5		Base	2PCS
6		Top Side Drawer	2PCS
7		Keyboard Drawer	1PC



The adjustable shelves are screwed in place to avoid damage during transit. To adjust the shelf height, remove screws then place shelf pins in the desired level.



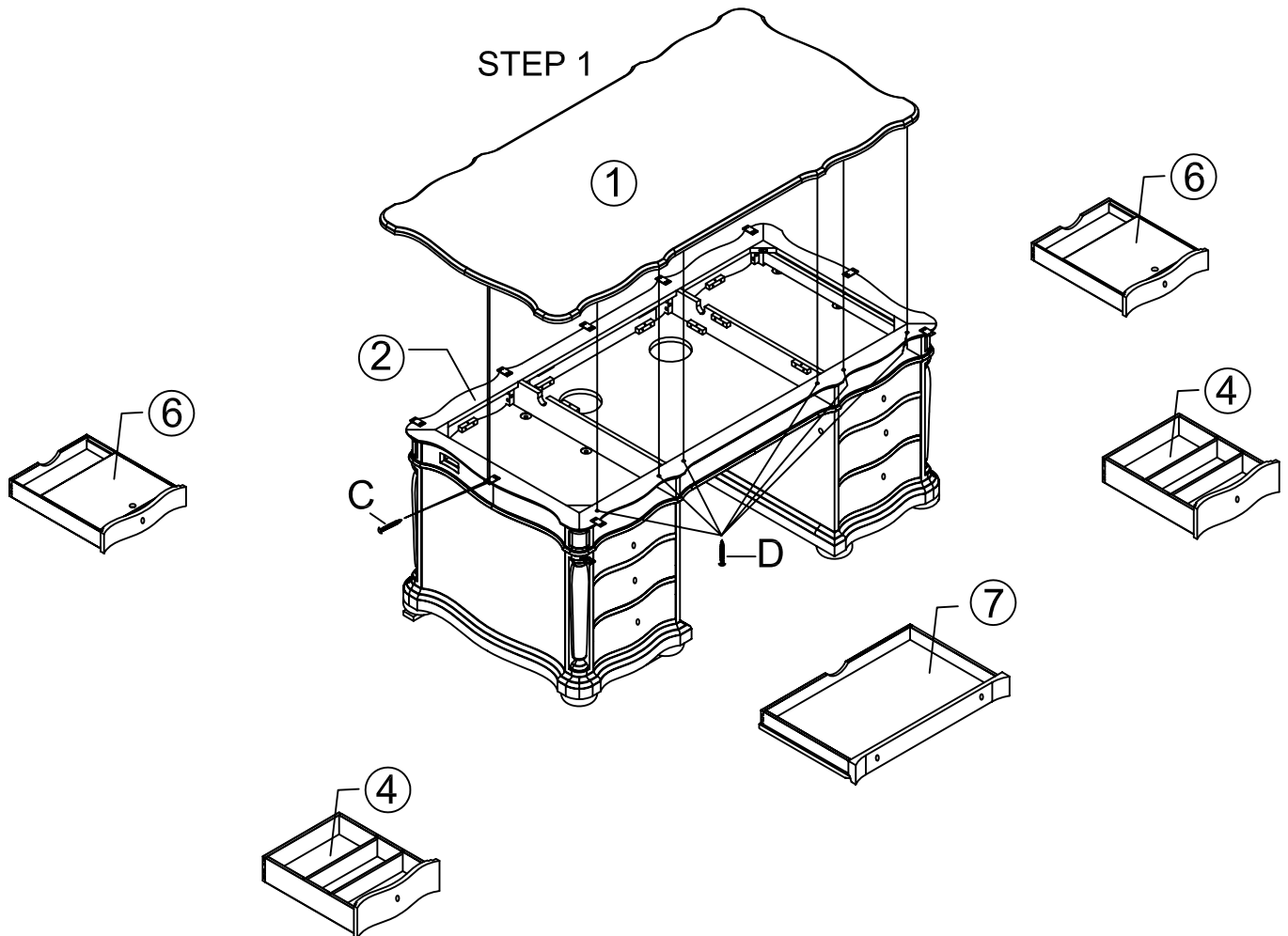
Adjust Leveler if needed to level desk on uneven floor.



ITEM: 5961-10562-89 Executive Desk

Thank you for purchasing this quality product. Be sure to unpack carefully looking for small parts which may have come loose during shipment.  
Read all instruction and study the drawing carefully before starting the assembly process.

**For easier delivery, the desk can be taken apart as shown below.**

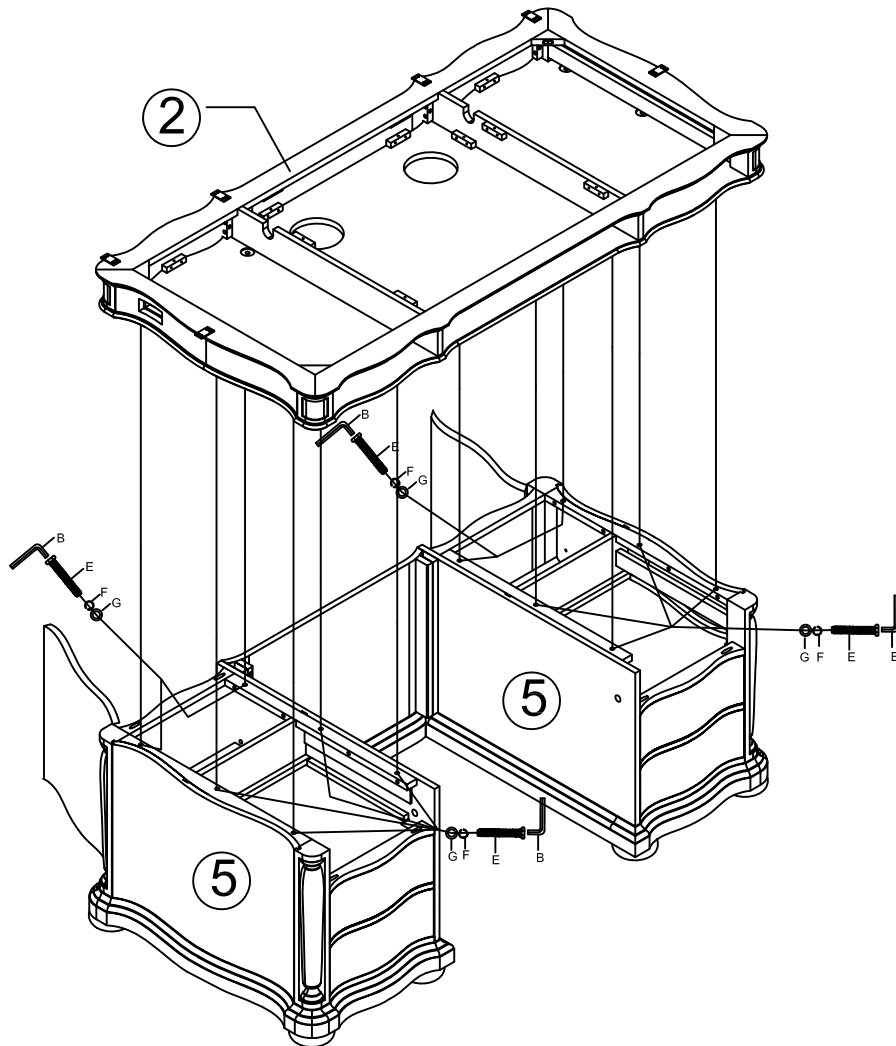


Step 1: Take out top side drawers (6), keyboard drawer (7) and middle side drawer (4), loosen all screws (C) on L-shaped metal plates and screws (D) under the front edge of top panel (1), and remove top panel (1) from desk.

ITEM: 5961-10562-89 Executive Desk

Thank you for purchasing this quality product. Be sure to unpack carefully looking for small parts which may have come loose during shipment.  
Read all instruction and study the drawing carefully before starting the assembly process.

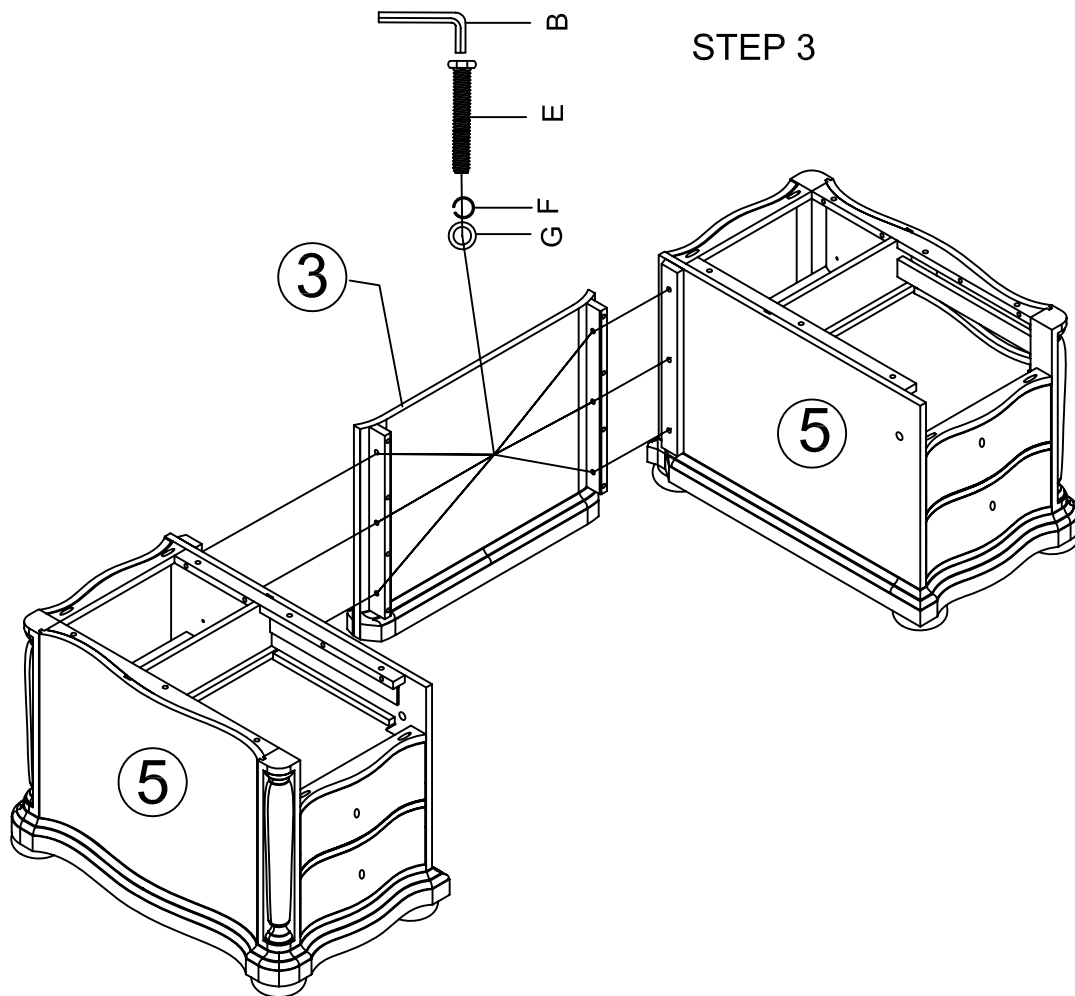
## STEP 2



Step 2: Loosen bolts (E), lock washers (F) and flat washers (G) attached at wood cleats by using allen wrench (B) from the bottom, then take off the top section (2).

ITEM: 5961-10562-89 Executive Desk

Thank you for purchasing this quality product. Be sure to unpack carefully looking for small parts which may have come loose during shipment.  
Read all instruction and study the drawing carefully before starting the assembly process.



Step 3: loosen six bolts (E), lock washers (F), flat washers (G) attached the back panel (3) to the desk with allen wrench (B) and separate back panel (3) by pulling it upright.