








ASSEMBLY INSTRUCTION

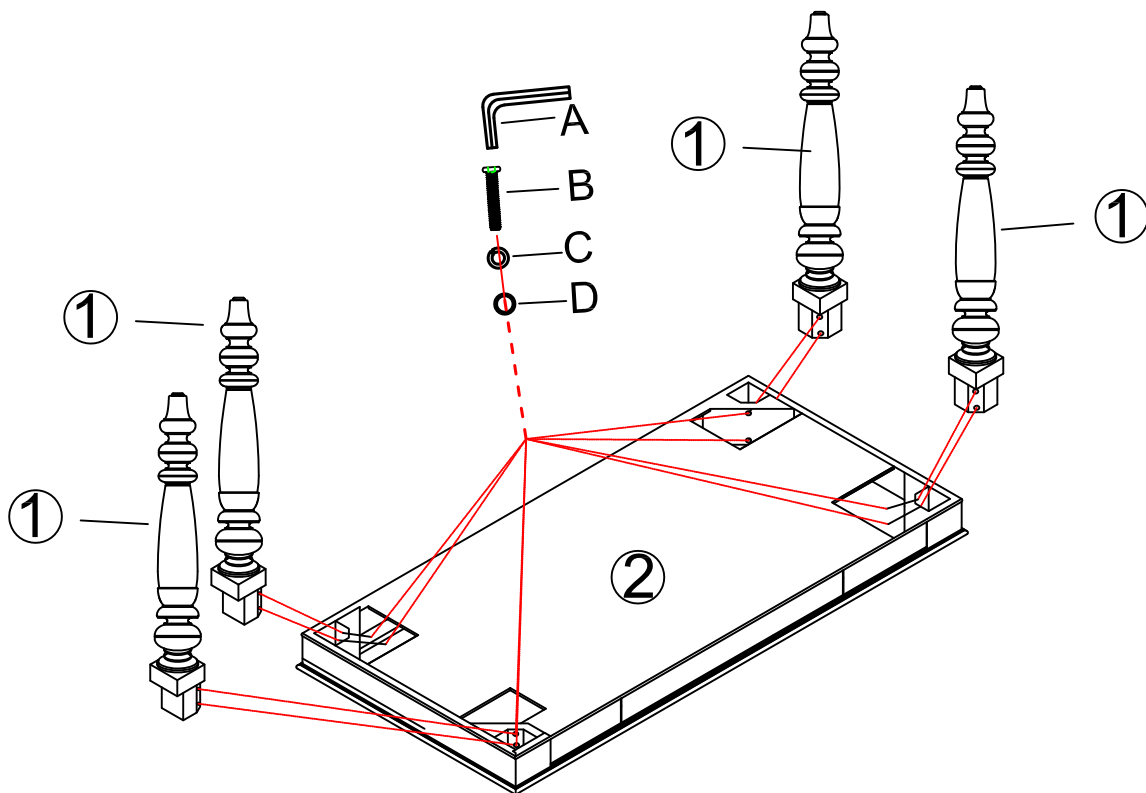
ITEM: 5961-10460-02 Writing Desk
5961-10460-89 Writing Desk

Thank you for purchasing this quality product. Be sure to unpack carefully looking for small parts which may have come loose during shipment.
Read all instruction and study the drawing carefully before starting the assembly process.

HARDWARE PACK

NO.	DRAWING	DESCRIPTION	SIZE	Q'TY	PARTS LIST			
					NO.	DRAWING	DESCRIPTION	Q'TY
A		Allen Wrench	73*29*5mm	1PC	1		Leg	4PCS
B		Bolt	Ø5/16"	8PCS				
C		Lock Washer	Ø5/16"	8PCS	2		Top	1PC
D		Flat Washer	Ø5/16"	8PCS				
E		Anti-Tip Kit		1PC				

STEP 1



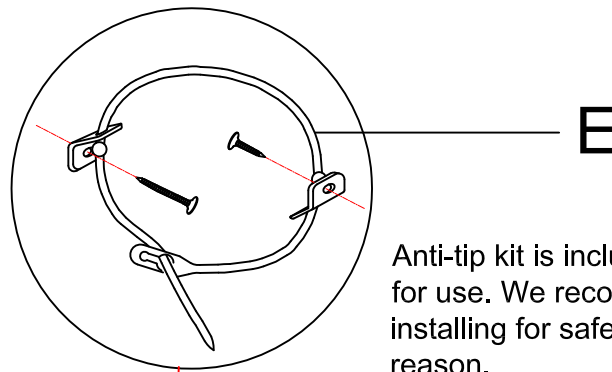
Note: Anti-tip kit restraint is provided. Please follow the instructions enclosed with the pack.

ASSEMBLY INSTRUCTION

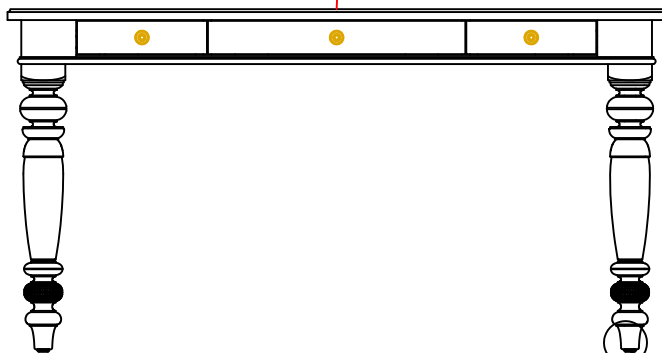
ITEM: 5961-10460-02 Writing Desk
5961-10460-89 Writing Desk

Thank you for purchasing this quality product. Be sure to unpack carefully looking for small parts which may have come loose during shipment.
Read all instruction and study the drawing carefully before starting the assembly process.

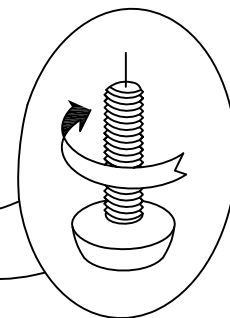
Tipping Restraint



Anti-tip kit is included for use. We recommend installing for safety reason.



STEP 2



Adjust Leveler if needed to level desk on uneven floor.