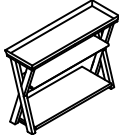
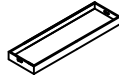
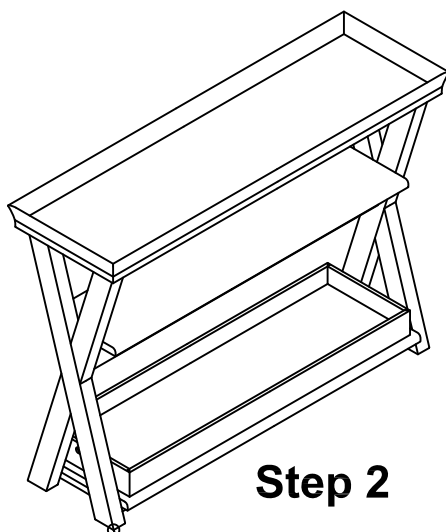
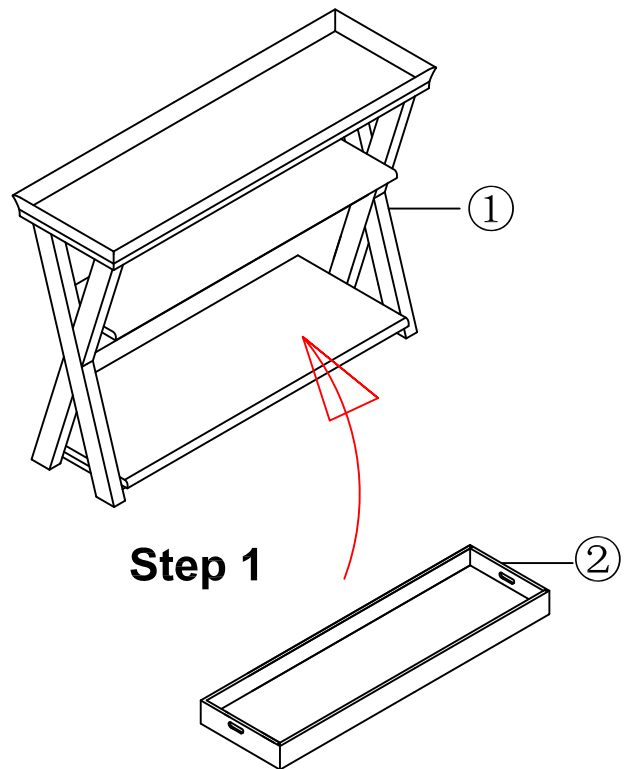


Thank you for purchasing this quality product. Be sure to unpack carefully looking for small parts which may have come loose during shipment. Read all instruction and study the drawing carefully before starting the assembly process.

PART LIST			
NO.	DRAWING	DESCRIPTION	Q'TY
1		Table Body	1PC
2		Removable Tray	1PC

Note: The removable tray is packed in the inner box tie on the bottom panel of table.

Step 1: Take out the removable tray (2) from inner box and place it on bottom panel of table body (1).



Adjust Leveler if needed to level table on uneven floor.