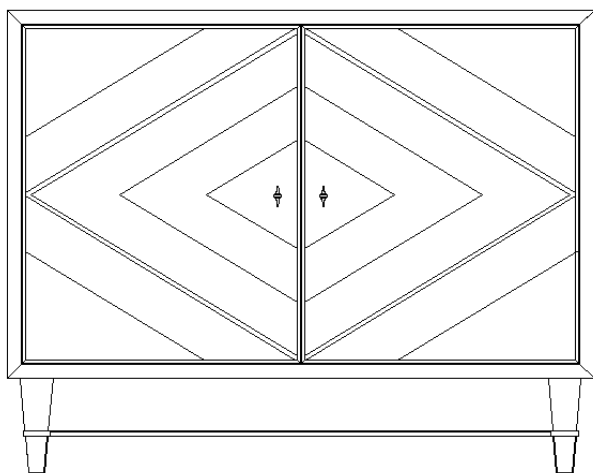


# ASSEMBLY INSTRUCTION

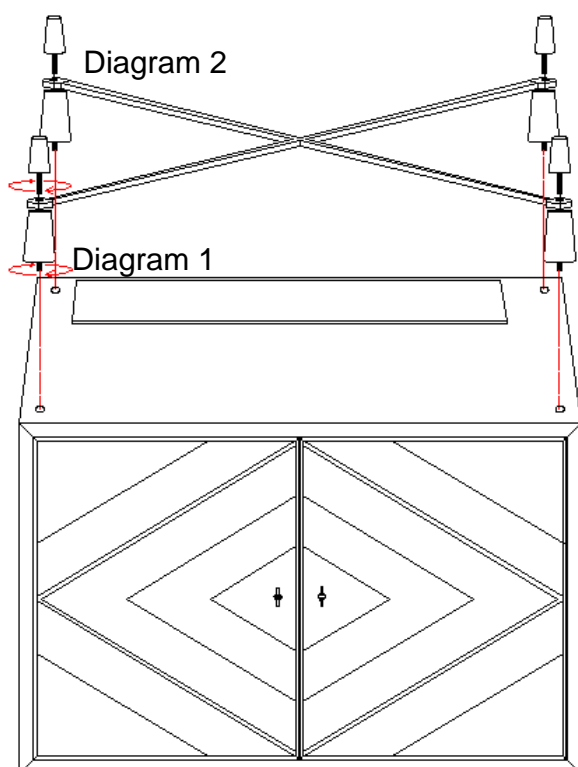
Item#: 638-85392-GRY Breck Chest

\*\* Please make sure you have all parts indicated below prior to assembly.  
This unit is heavy and can best be assembled with the help of two or more people.



## Assembly Steps:

1. Place Breck Chest top upside down on a soft place to prevent it from being scratched.
2. Tighten upper foot to base in a clockwise direction. (See Diagram 1)
3. Place stretcher on upper foot and align holes of them, then tighten bottom foot in clockwise direction. (See Diagram 2)
4. Turn Breck Chest upright.



**Cleaning Instruction:** Clean finished parts with a damp cloth using a mild dishwashing liquid and water solution. Polish the finish with soft cloth and an industry recognized furniture polish.