

ASSEMBLY INSTRUCTION

Item: 6050-75206 Rectangle Pedestal Dining Table

Thank you for purchasing this quality product. Be sure to unpack carefully looking for small parts which may have come loose during shipment.

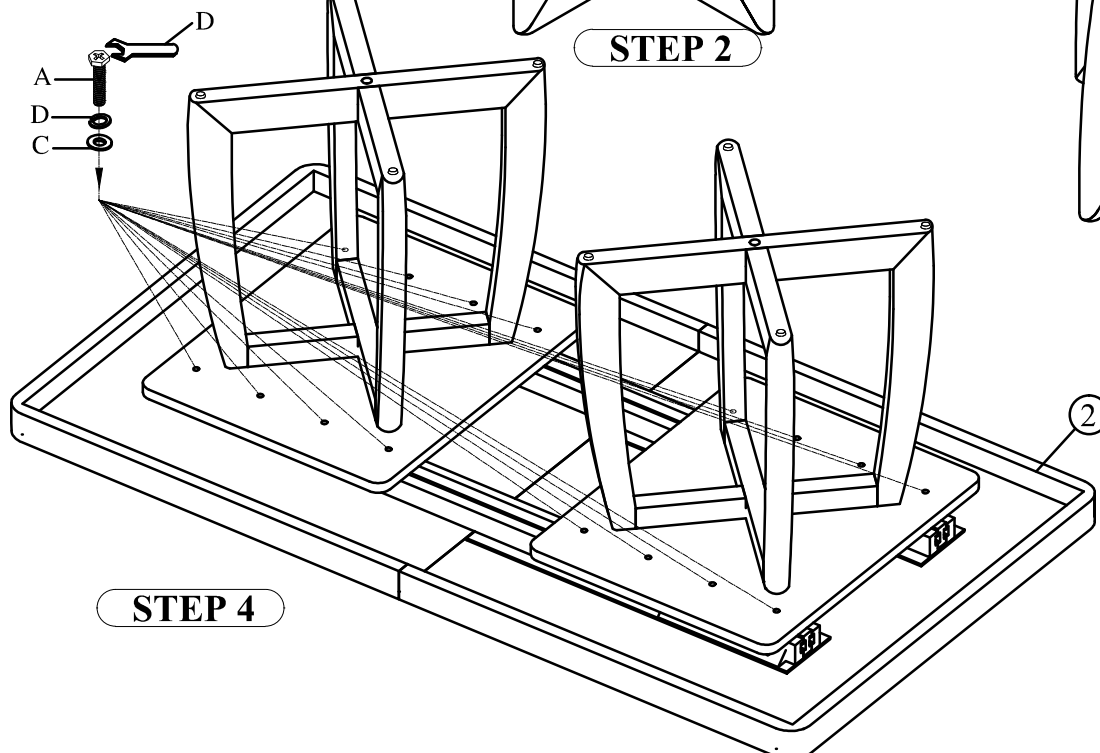
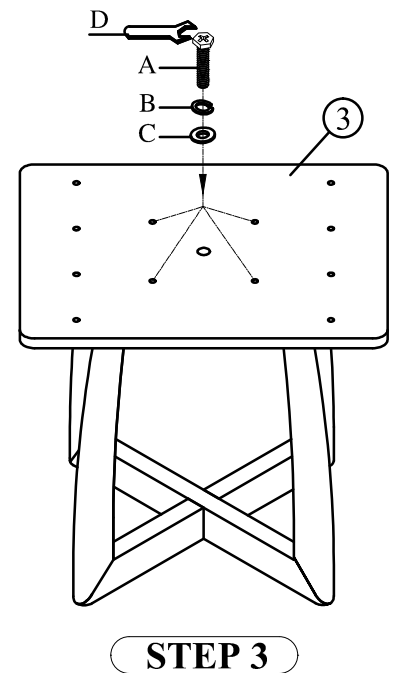
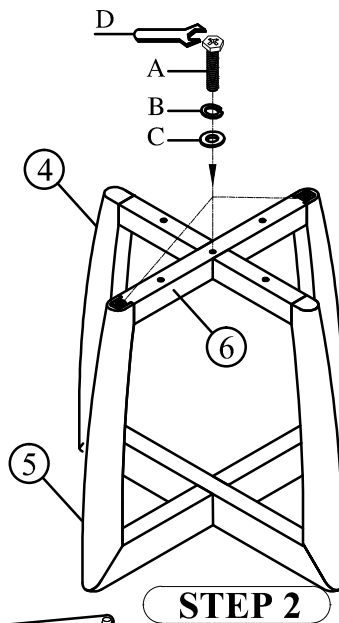
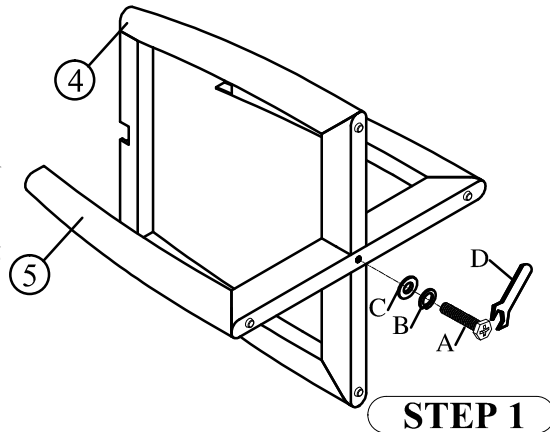
Read all instruction and study the drawing carefully before starting the assembly process.

STEP 1. Assemble leg (4) and leg (5) using bolt (A), lock washer (D), flat washer (E) and tighten them by allen wrench (D).

STEP 2. Attach the stretcher (6) to the leg assembly using bolt (A), lock washer (B), flat washer (C) and tighten them by open wrench (D)

STEP 3. Attach the bridge (3) to the leg assembly, make sure all holes align attach using bolt (A), lock washer (B), flat washer (C) and tighten them by open wrench (D)

STEP 4. turn the table halves (1) upside down on a clean soft surface attach the leg assembly to the table halves (1) as shown in the picture using bolt (A), lock washer (B), flat washer (C) and tighten them by open wrench (D)



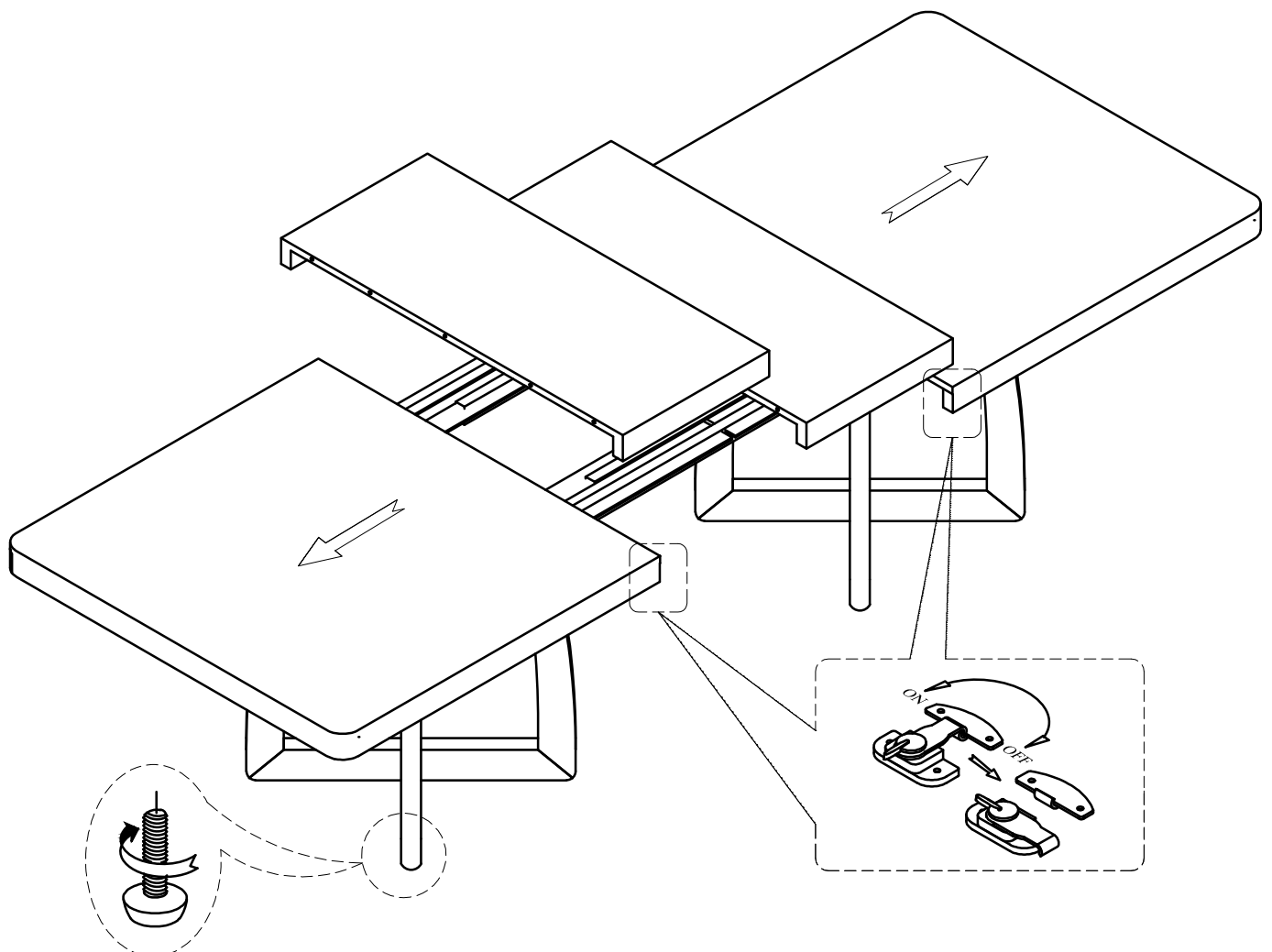
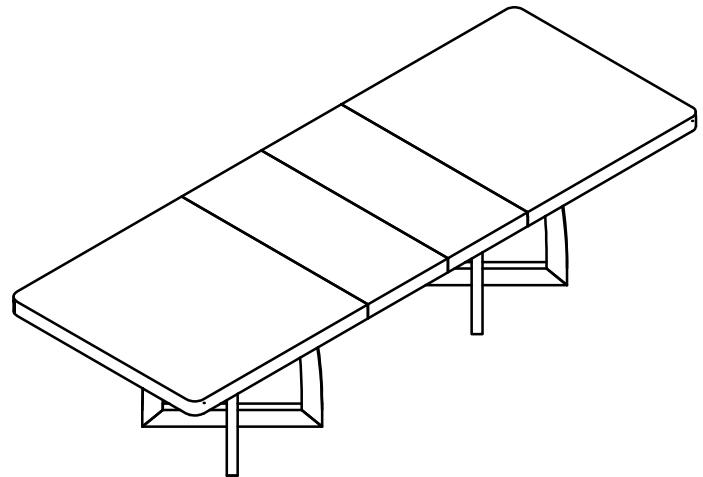


ASSEMBLY INSTRUCTION

Item: 6050-75206 Rectangle Pedestal Dining Table

Thank you for purchasing this quality product. Be sure to unpack carefully looking for small parts which may have come loose during shipment.

Read all instruction and study the drawing carefully before starting the assembly process.

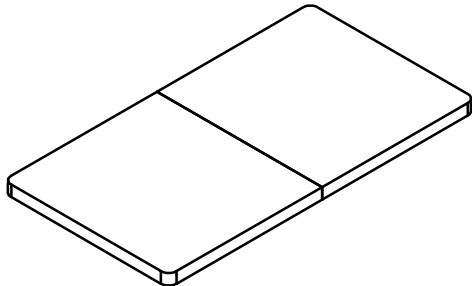
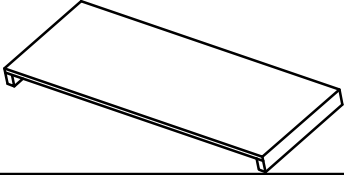
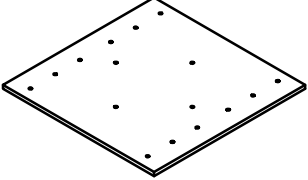
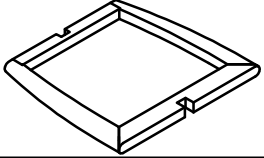
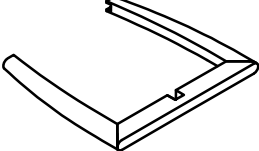
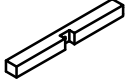


Adjust Leveler if needed
to level case on uneven floor.

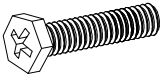


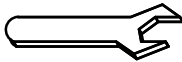
1. Open the table halves to their widest by unlocking table lock
2. Place one leaf or two leaves on the table and close the table halves.

Item: 6050-75206 Rectangle Pedestal Dining Table

PARTS LIST

Item No	Drawing	Description	Qty
1		Table Halves	1 pc
2		Table Leaf	2 pcs
3		Bridge	2 pcs
4		Leg	2 pcs
5		Leg	2 pcs
6		Stretcher	2 pcs

HARDWARE PACK

NO	DRAWING	DESCRIPTION	SIZE	Q'ty
A		Hexagonal Bolt	ϕ5/16"*1-1/4"	32pcs
B		Lock Washer	ϕ5/16"	32pcs
C		Flat Washer	ϕ5/16"*19D	32pcs
D		Open Wrench	13mm	1pc