
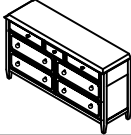


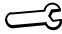





# ASSEMBLY INSTRUCTION

ITEM:5770-90002-GRY Seven-Drawer Dresser

ITEM:5770-90004-GRY Mirror

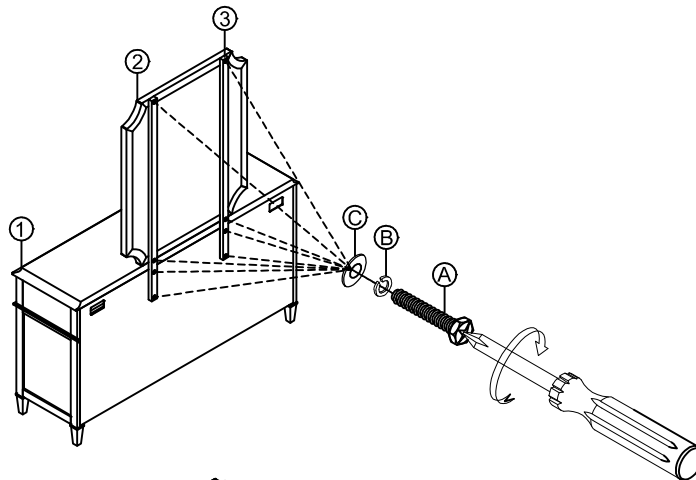
Thank you for purchasing this quality product. Be sure to unpack carefully looking for small parts which may have come loose during shipment.  
Read all instruction and study the drawing carefully before starting the assembly process.

HARDWARE LIST					PARTS LIST			
NO.	DRAWING	DESCRIPTION	SIZE	Q'TY	NO.	DRAWING	DESCRIPTION	Q'TY
A		Hexagonal Bolt	M13*Ø1/4"*1-1/2"L	8PCS	1		Dresser	1PC
B		Spring Washer	1/4"*10*2mm	8PCS				
C		Flat Washer	1/4"*19*2mm	8PCS				
D		Open Wrench	M13*89*2mm	1PC	2		Mirror	1PC
E		Anti-tipping Restrain		1PC	3		Mirror Support	2PCS

STEP1. Attach Mirror (2) and Mirror support (3) to Dresser (1) using Hexagonal Bolt (A), Spring Washer (B) Flat Washer (C) and tighten them by a Phillips head screwdriver

STEP2. Place completed Dresser and mirror at right place  
Attach center support leg to the bottom of the Dresser (1) and adjust leveler if need it.  
then use Anti-tipping Restrain (E) to keep the completed Dresser to be safe case and adjust leveler if need it.

STEP1



STEP2

