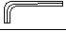
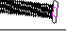





ASSEMBLY INSTRUCTION

Item# 5750-75206-MWD Friendship Table

** Please make sure you have all parts indicated below prior to assembly.

This table is heavy and can best be assembled with the help of two or more people.

NO	HARDWARE LIST		Q'TY
A		Allen wrench	1
B		5/16" * 45mm Bolt	8
C		Lock washer	12
D		Flat washer	12
E		5/16" * 80mm Bolt	4

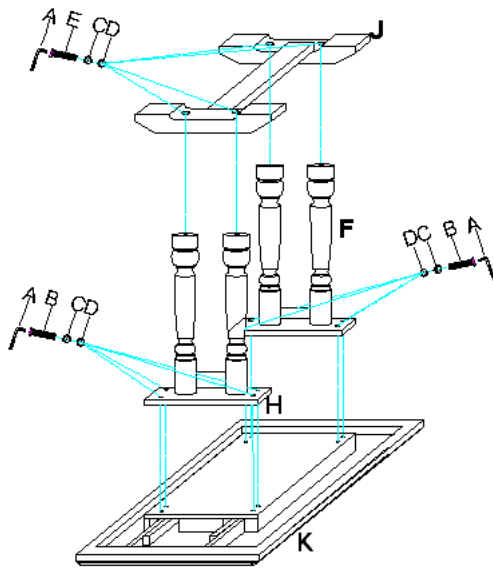
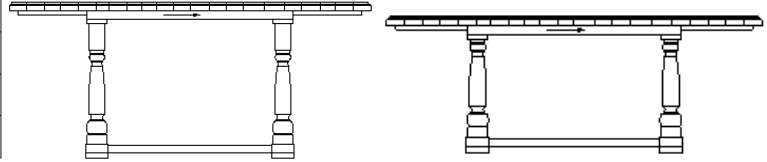


Diagram 1

Note:

Height of this table can be adjusted with or without extension block. (30" and 36" heights)

Assembly steps with extension blocks:

1. Attach mounting bridge (H) with legs (F) to table top (K) by inserting bolts (B), lock washers (C) and flat washers (D), tighten with allen wrench (A) (See Diagram 1)
2. Attach base frame (J) to legs (F) by inserting bolts (E), lock washers (C) and flat washers (D), tighten with allen wrench (A) (See Diagram 1)
3. Turn table upright.

Assembly steps without extension blocks:

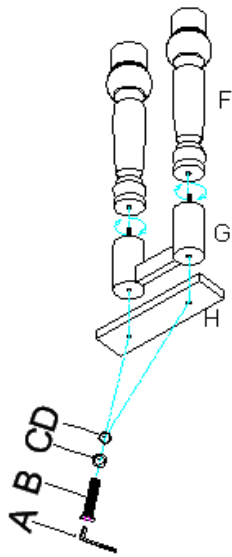


Diagram 2

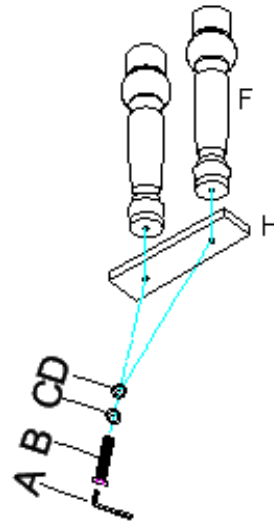


Diagram 3

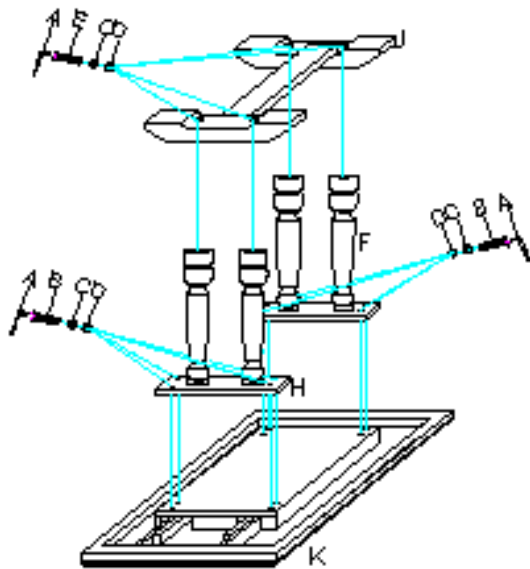


Diagram 4



1. Unscrew bolts (B), lock washers (C) and flat washers (D) from mounting bridge (H).
2. Remove extension blocks (G) from legs(F) in counter clockwise direction with care.
3. Attach mounting bridge (H) to legs (F) by inserting bolts (B), lock washers (C) and flat washers (D), tighten with allen wrench (A) (See Diagram 3).
4. Attach mounting bridge (H) to table top (K) by inserting bolts (B), lock washers (C) and flat washers (D), tighten with allen wrench (A) (See Diagram 4)
5. Attach base frame (J) to legs (F) by inserting bolts (E), lock washers (C) and flat washers (D), tighten with allen wrench (A) (See Diagram 4)
6. Turn table upright.

Instruction for table leaves:

1. There are latches at the bottom of table top, turn off the latches as shown in Diagram 5

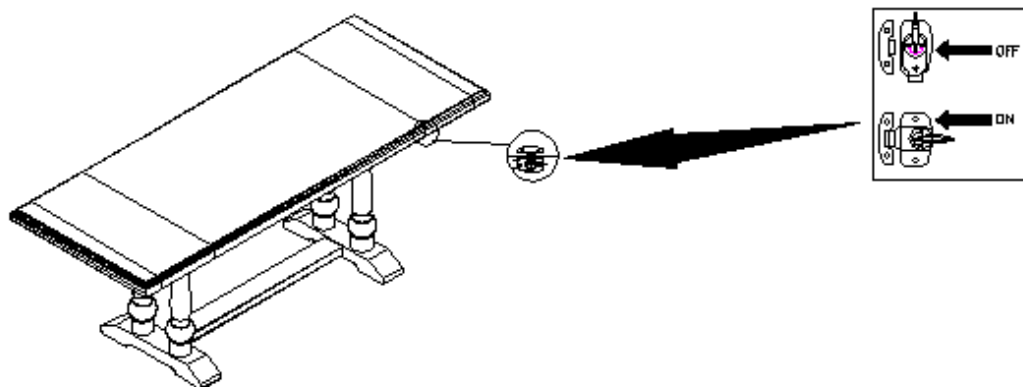


Diagram 5

Cleaning Instruction: Clean finished parts with a damp cloth using a mild dishwashing liquid and water solution. Polish the finish with soft cloth and an industry recognized furniture polish.