



ASSEMBLY INSTRUCTIONS

Item#: 5603-90009-LTBR Shaped Mirror

Item#: 5603-90002-LTBR Six-Drawer Dresser

** Please make sure you have all parts indicated below prior to assembly.
This unit is heavy and can best be assembled with the help of two or more persons.

NO		Hardware List	Q'ty
A		Screw	16
B		Wood Dowel	4

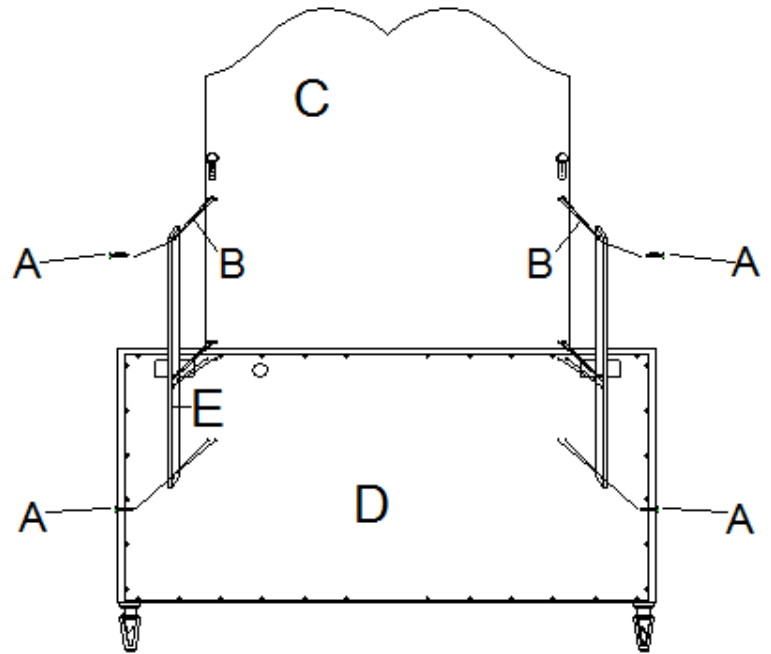
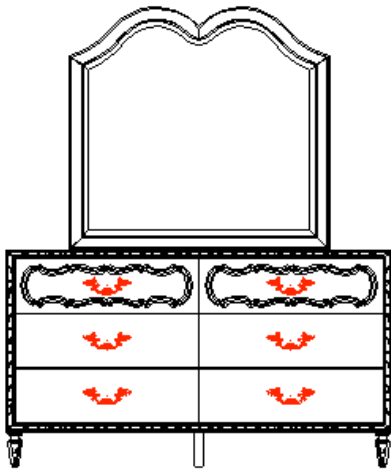


Diagram 1

Assembly steps:

1. Place the mirror on the top of dresser. Be sure to position mirror in the middle of top. The back bottom edge of mirror and the back edge of top should be flushed.
2. Insert locator dowels (B) to the pre-drilled holes on wood supports (E).
3. Attach wood supports (E) to the back of mirror and dresser. Align locator dowels (B) on wood supports (E) to the holes on the back of mirror.
4. Tighten all screws (A) to the pre-drilled holes on wood supports (E) by using Philips head driver.

Cleaning Instruction: Clean finished parts with a damp cloth using a mild dishwashing liquid and water solution. Polish the finish with soft cloth and an industry recognized furniture polish.