




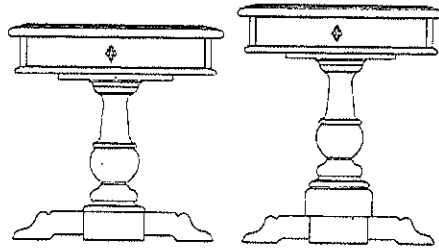


ASSEMBLY INSTRUCTION

ITEM# 5960-90015-MULTI Kirby Bedside Table

Caution: Please make sure you have all parts indicated below prior to assembly.

NO.	HARDWARE LIST		QTY
A		30MM BOLT	2
B		LOCK WASHER	6
C		FLAT WASHER	6
D		ALLEN WRENCH	1
E		80MM BOLT	4



Note: This table can be used as end table and bedside table.

Assembly steps:

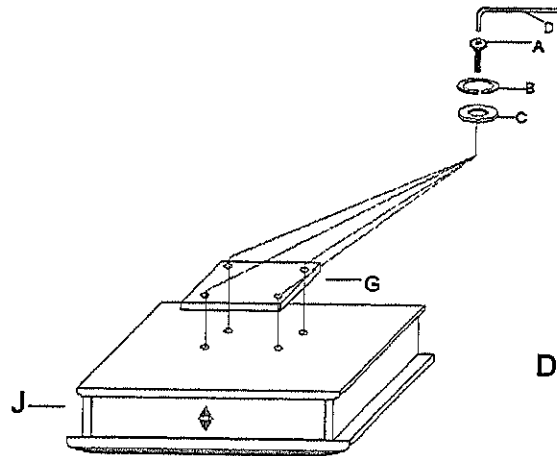
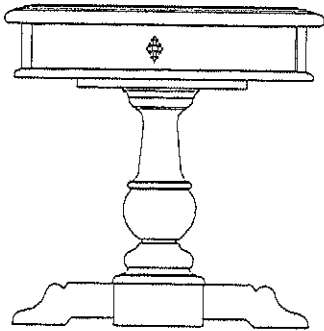


Diagram 1

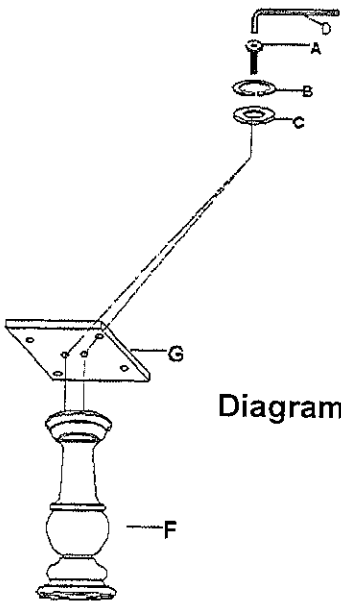


Diagram 2

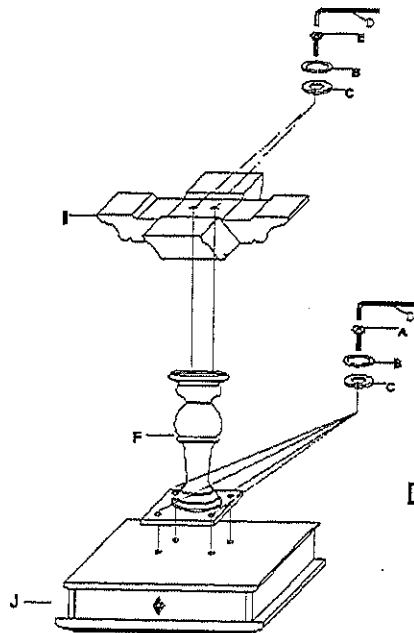


Diagram 3

1. Place table top (J) upright down on a soft surface to prevent it from being scratched.
2. Unscrew bolts (A), lock washers (B) and flat washers (C) on mending plate (G) with allen wrench (D) in anti-clockwise direction. (See Diagram 1)
3. Well attach mending plate (G) to center post (F), insert bolts (A), lock washers (B) and flat washers (C), secure by turning with allen wrench in clockwise direction. (See Diagram 2)
4. Attach center post (F) to top (J) by using bolts (A), lock washers (B) and flat washers (C), tighten all by using allen wrench (D). (See Diagram 3)
5. Place base (I) onto center post (F), insert bolts (E), lock washers (B) and flat washers (C), sure bolts by turning with allen wrench.
6. Turn table upright.

Please add an extension block between center post and base if want to use this table as bedside table, see Diagram 4.

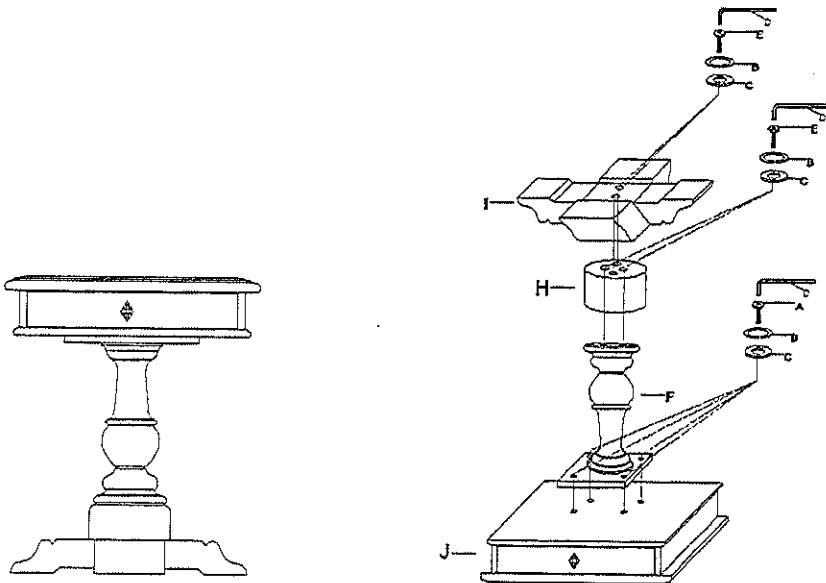


Diagram 4

1. Well screw extension block (H) to center post by using bolts (E), lock washers (B) and flat washers (C), sure with allen wrench (D).
2. Place base (I) onto extension block (H), insert bolts (E), lock washers (B) and flat washers (C), sure bolts by turning with allen wrench.
3. Turn table upright.

Cleaning Instruction: Clean finished parts with a mild dishwashing liquid and water solution on a damp cloth. Polish the finish with soft cloth and an industry recognized furniture polish.