



ASSEMBLY INSTRUCTION

HOOKER
— FURNITURE —

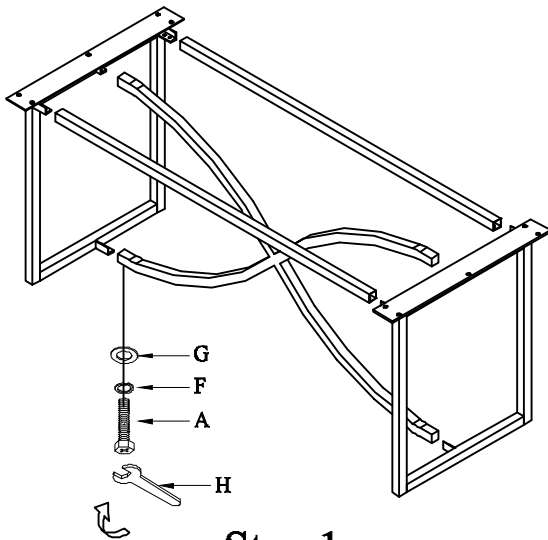
Item: 5990-75200-LTWD
Metal Base Dining Table

Thank you for purchasing this quality product. Be sure to unpack carefully looking for small parts which may have come loose during shipment.

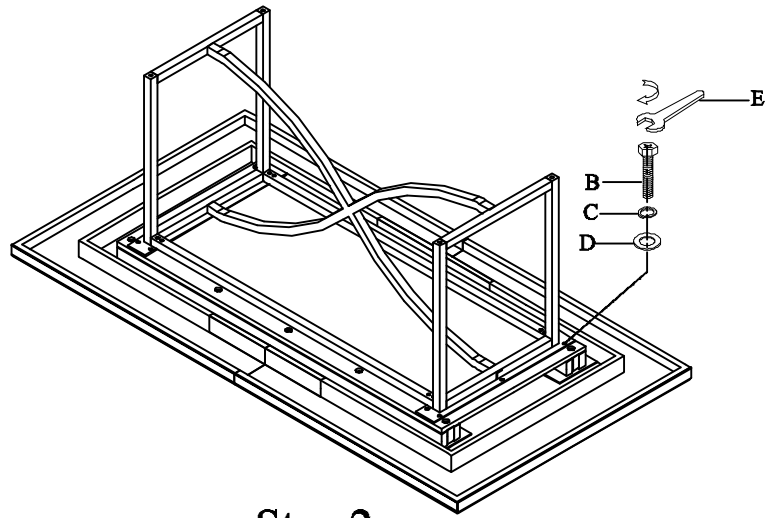
Read all instruction and study the drawing carefully before starting the assembly process:

HARDWARE PACK

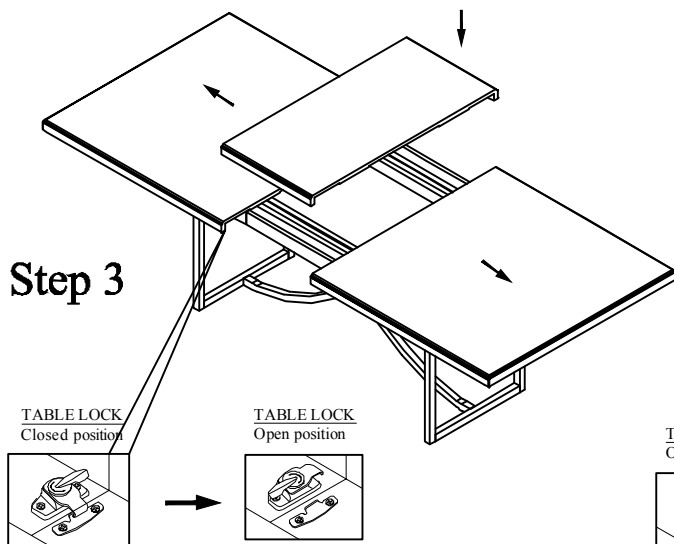
NO	DRAWING	DESCRIPTION	SIZE	Q'TY
A		BOLT	$\Phi 1/4" \times 5/8"$	16pcs
B		BOLT	$\Phi 5/16" \times 1"$	10pcs
C		LOCK WASHER	$\Phi 5/16" \times 12 \times 3$	10pcs
D		FLAT WASHER	$\Phi 5/16" \times 19 \times 2$	10pcs
E		HEX WRENCH	12mm	1pc
F		LOCK WASHER	$\Phi 1/4" \times 12 \times 3$	16pcs
G		FLAT WASHER	$\Phi 1/4" \times 16 \times 2$	16pcs
H		HEX WRENCH	10mm	1pc



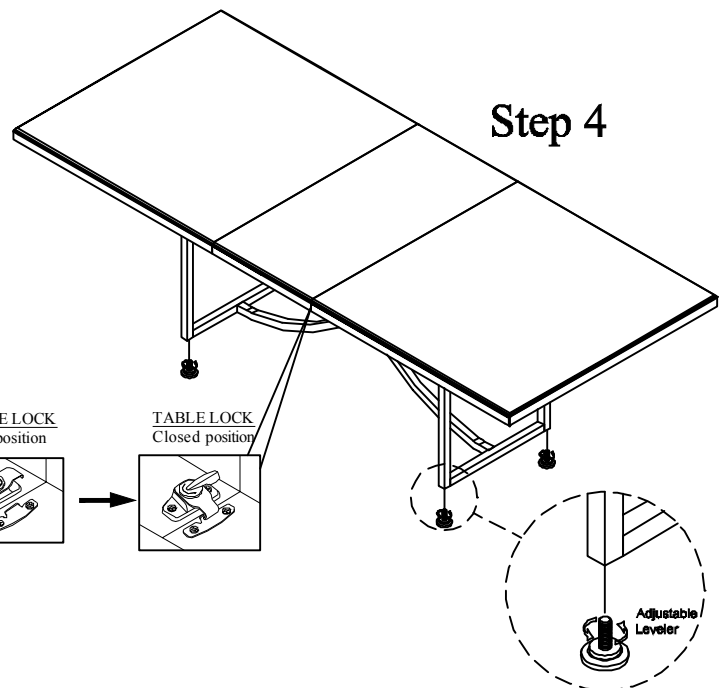
Step 1



Step 2



Step 3



Step 4