



ASSEMBLY INSTRUCTION

HOOKER
— FURNITURE —

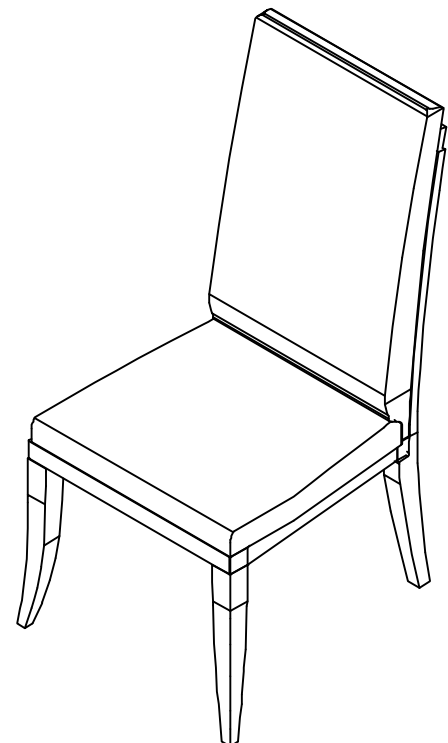
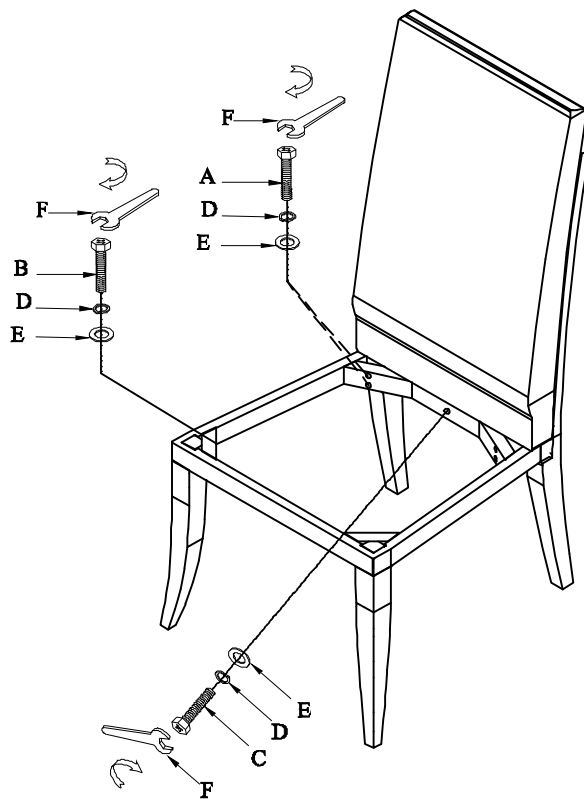
Item: 5990-75410A-LTWD
Side Chair

Thank you for purchasing this quality product. Be sure to unpack carefully looking for small parts which may have come loose during shipment.

Read all instruction and study the drawing carefully before starting the assembly process:

HARDWARE PACK

NO	DRAWING	DESCRIPTION	SIZE	Q'TY
A		HEXAGONAL BOLT	$\Phi 5/6 \times 3-1/4"$	4pcs
B		HEXAGONAL BOLT	$\Phi 5/16 \times 2-1/4"$	4pcs
C		HEXAGONAL BOLT	$\Phi 5/16 \times 1-1/2"$	1pc
D		LOCK WASHER	$\Phi 5/16" \times 12 \times 3$	9pcs
E		FLAT WASHER	$\Phi 5/16" \times 19 \times 2$	9pcs
F		HEX WRENCH	12mm	1pc



Note: "Before fully tightening the legs, ensure the chair is level"