




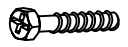
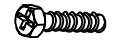




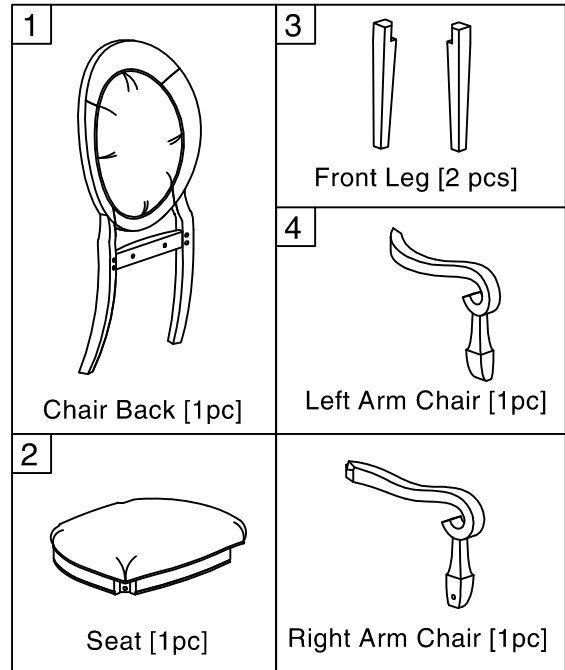
HOOKER
— FURNITURE —

ASSEMBLY INSTRUCTION

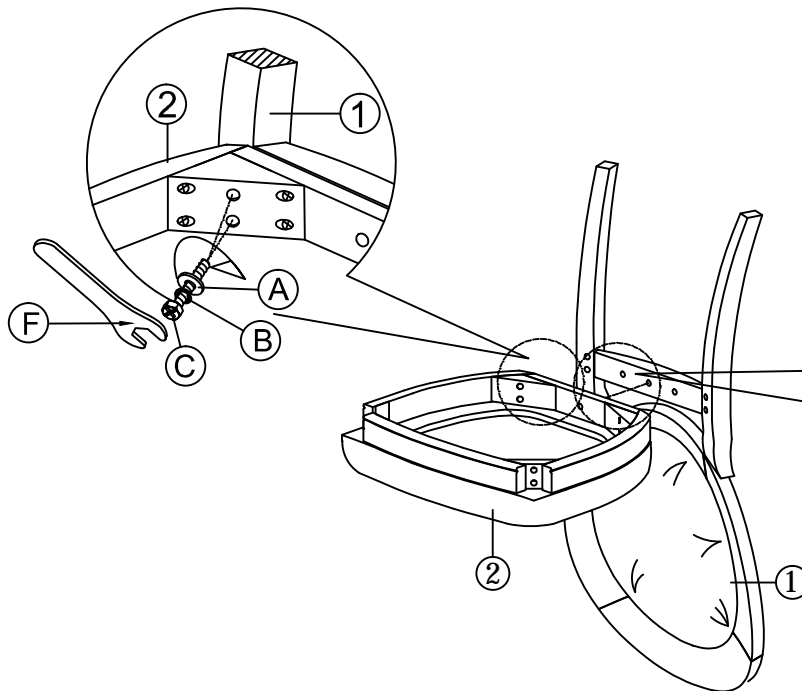
ITEM: 5280-75402; 5180-75402
OVAL BACK ARM CHAIR

Thank you for purchasing this quality product. Be sure to unpack material carefully for small parts which may have come loose during shipment. Identify and count all parts and compare with the Part - List below. Read all instruction and study the drawing carefully before starting the assembly process:

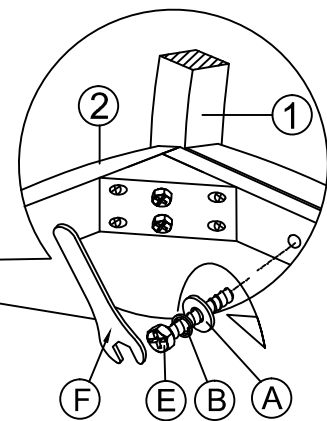
HARDWARE			
A		FLAT WASHER Ø5/16"	9 Pcs
B		LOCK WASHER Ø5/16"	9 Pcs
C		HEX HEAD BOLT Ø5/16"x3-¼"	4 Pcs
D		HEX HEAD BOLT Ø5/16"x2-½"	4 Pcs
E		HEX HEAD BOLT Ø5/16"x1-¾"	3 Pcs
F		WRENCH 12mm	1 Pc
G		WOOD SCREW Ø8x38mm	2 Pcs

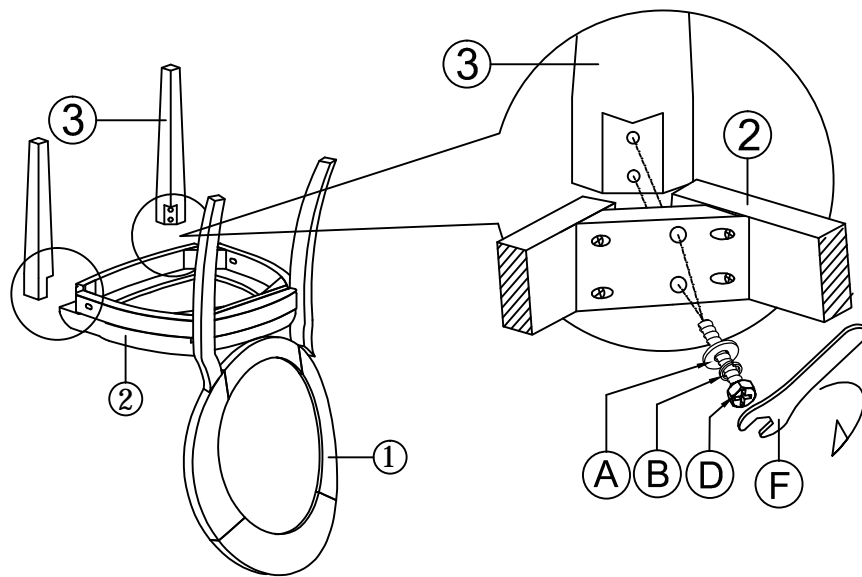


Step 1



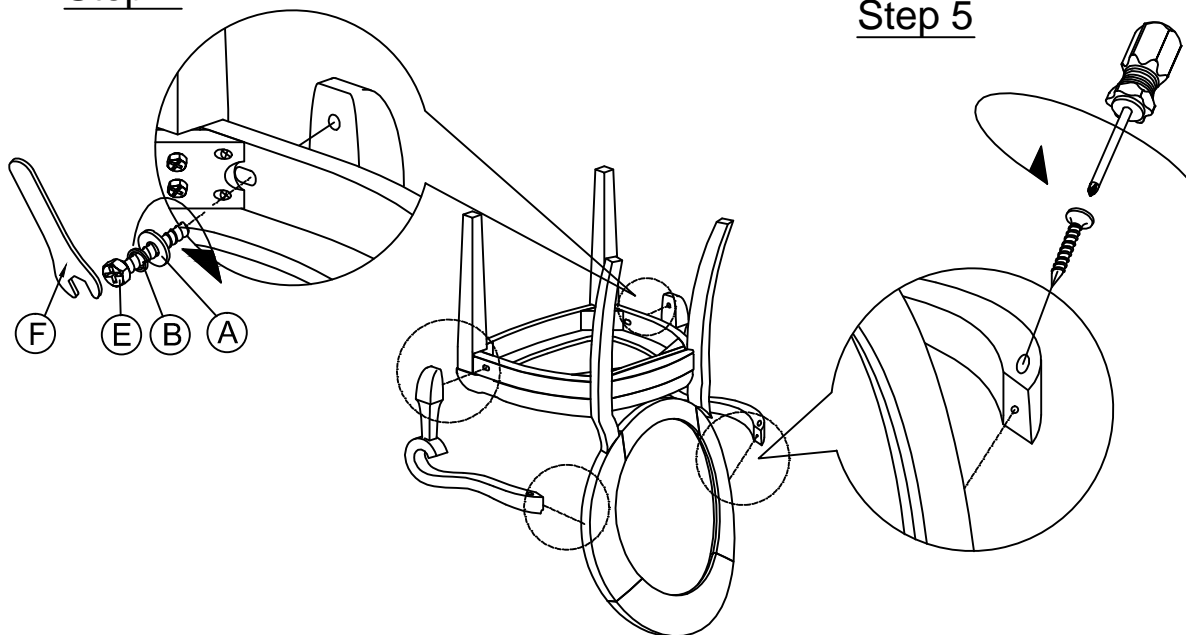
Step 2





Step 3

Step 4



Step 5

