

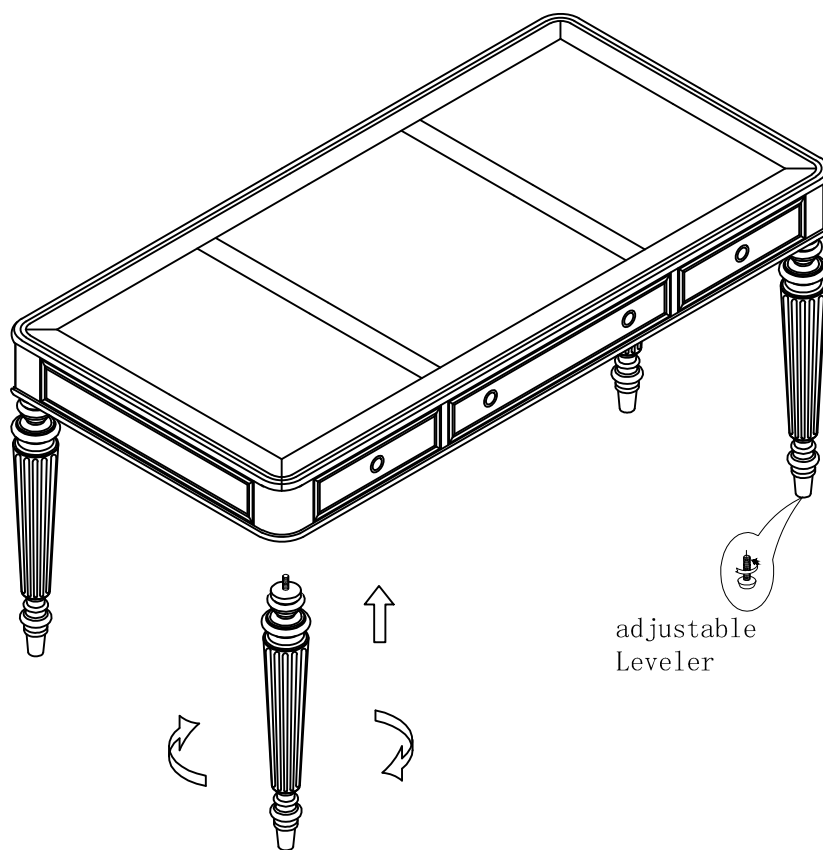


ASSEMBLY INSTRUCTION

Item: 5085-10458 60"LEG DESK

Thank you for purchasing this quality product. Be sure to unpack carefully looking for small parts which may have come loose during shipment.

Read all instruction and study the drawing carefully before starting the assembly process:



adjustable
Leveler

Do not over-tighten

Warning: Ensure the table is carefully turn-over by two people.
Rolling table over will damage the legs.