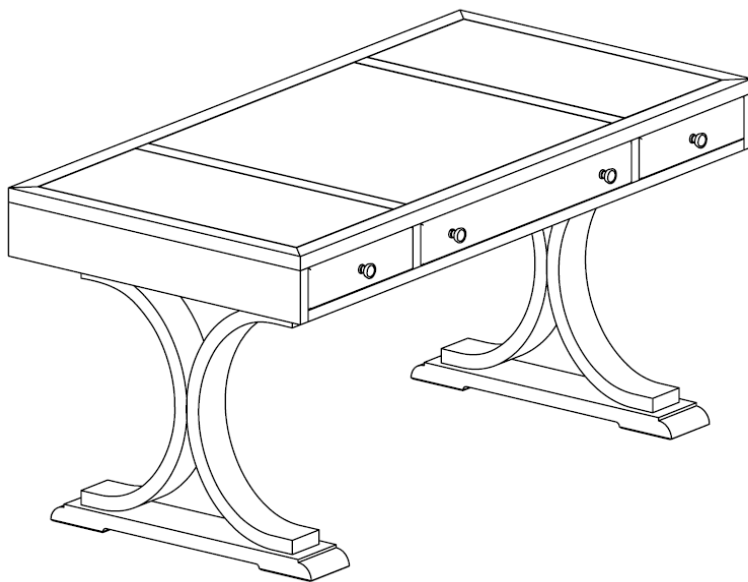





# ASSEMBLY INSTRUCTION

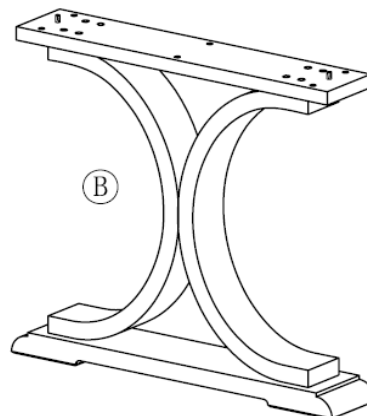
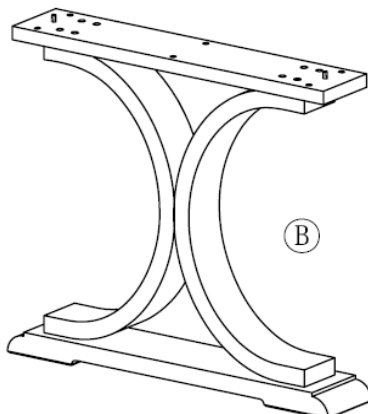
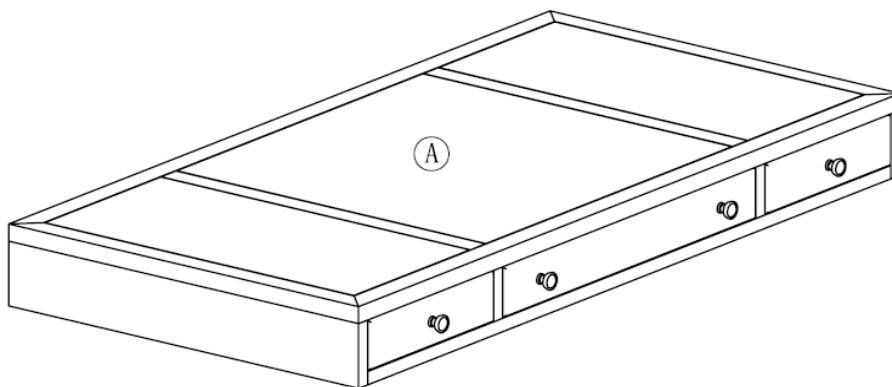
5078-10458 Writing Desk 60in

Thank you for purchasing this quality product. Be sure to unpack carefully looking for small parts which may have come loose during shipment.

Read all instruction and study the drawing carefully before starting the assembly process.



HARDWARE LIST			
NO.	Drawing	Description	Q'TY
A		5/16" x 1-3/4"	12
B		5/16"	12
C		5/16"	12



**PARTS INCLUDE**

Ⓐ × 1PC

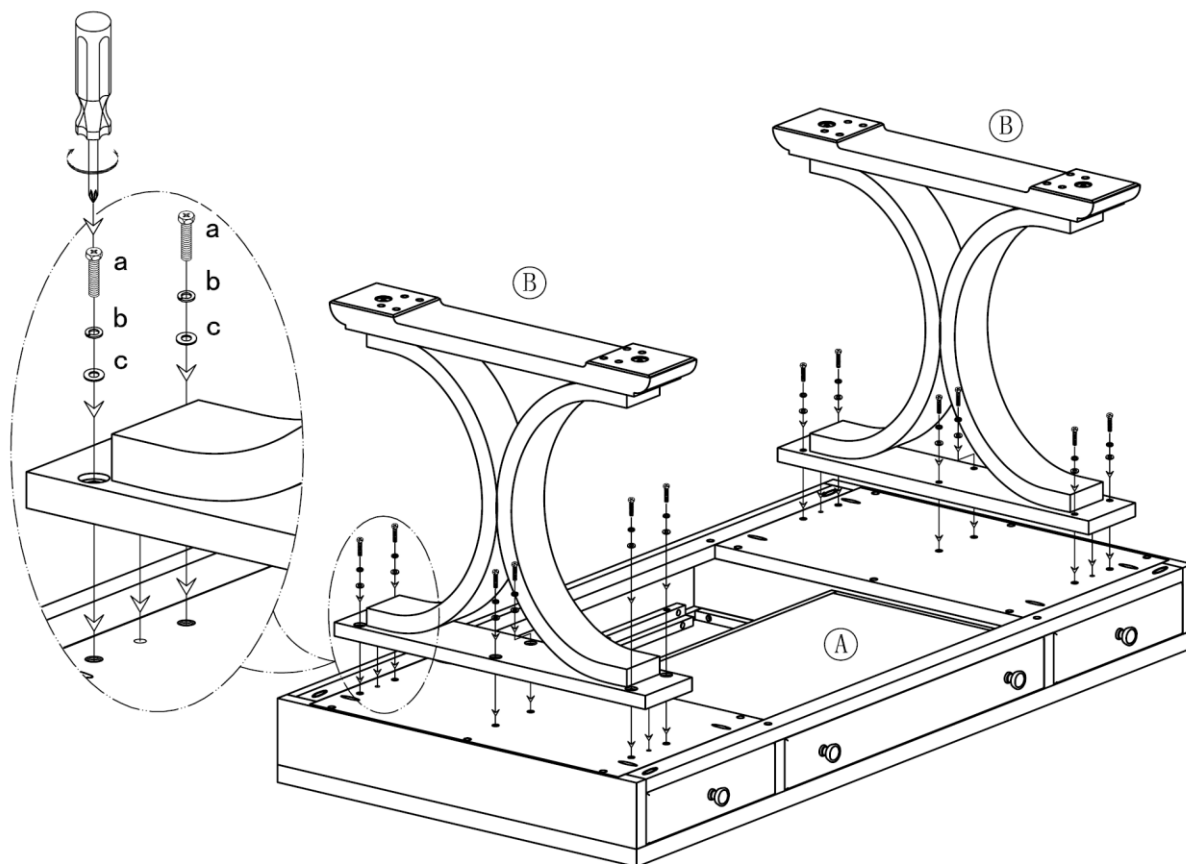
Ⓑ × 2PCS

# ASSEMBLY INSTRUCTION

**5078-10458 Writing Desk 60in**

**Thank you for purchasing this quality product. Be sure to unpack carefully looking for small parts which may have come loose during shipment.**

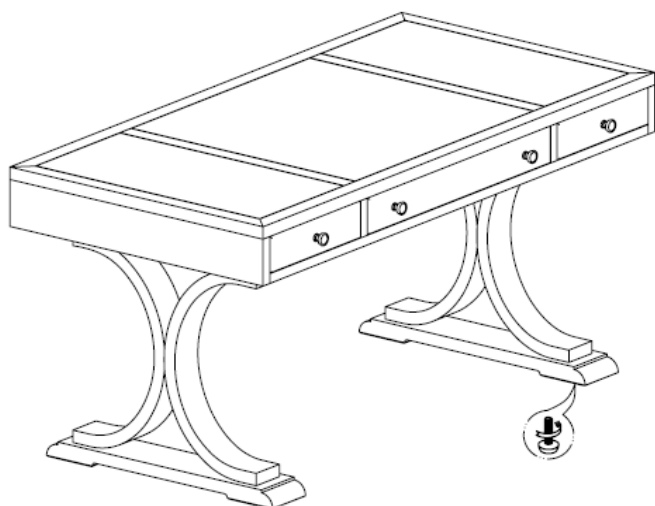
**Read all instruction and study the drawing carefully before starting the assembly process.**



Step 1 : Put (A) upside-down on a clear soft surface to avoid damaging parts during assembly.

Step 2: put (B) upside down as above picture.

Step 3 : Use screwdriver to screw A, B, C at the point places. And fix them tightly.



Step 4: Stand the desk, and adjust the levelers if place the desk on the uneven floor.