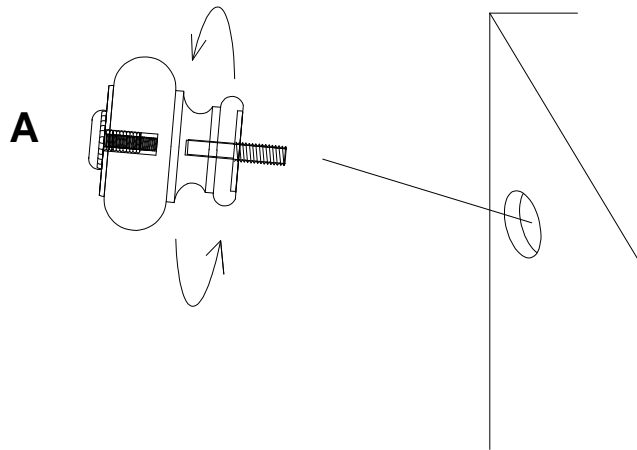


Bun Feet Assembly Instruction

* Please make sure you have all parts prior to assembly.

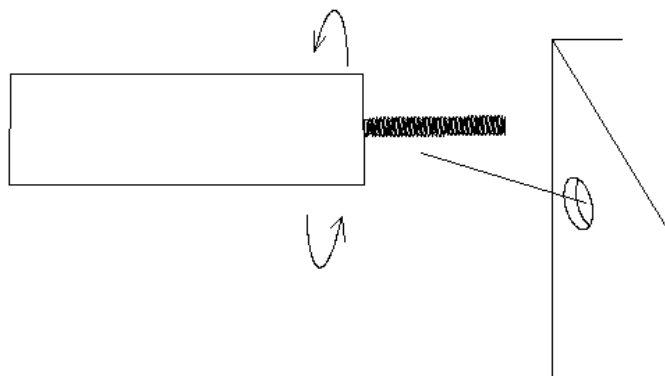


The Bun Feet (A) are packed in a individual box, and placed in case or bottom of case.

Install the bun feet with bolt in clockwise direction into the bottom of the case. (See diagram above)

Remove them by the reverse way.

If case in big size, it will have a center leg packed with bun feet together, the way for installing the center leg is same as above. Please see diagram below.



Cleaning Instruction: Clean finished parts with a damp cloth using a mild dishwashing liquid and water solution. Polish the finish with soft cloth and an industry recognized furniture polish.