






ASSEMBLY INSTRUCTION

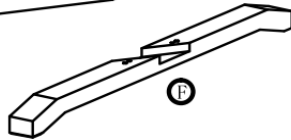
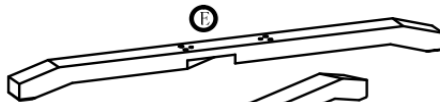
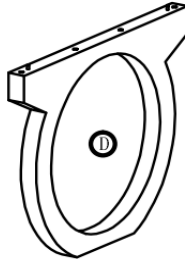
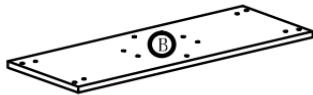
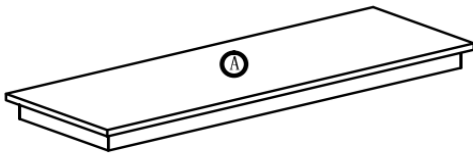
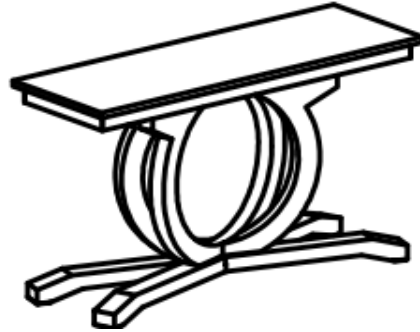
5066-80161 KINSEY SOFA TABLE

Thank you for purchasing this quality product. Be sure to unpack carefully looking for small parts which may have come loose during shipment.

Read all instruction and study the drawing carefully before starting the assembly process.

HARDWARE PACK

NO	DRAWING	DESCRIPTION	Q'ty
a		SHORT BOLT	14
b		LONG BOLT	4
c		LOCK WASHER	18
d		FLAT WASHER	18
e		WRENCH	1



PARTS INCLUDE

- A** × 1PC **D** × 1PC
- B** × 1PC **E** × 1PC
- C** × 2PCS **F** × 1PC

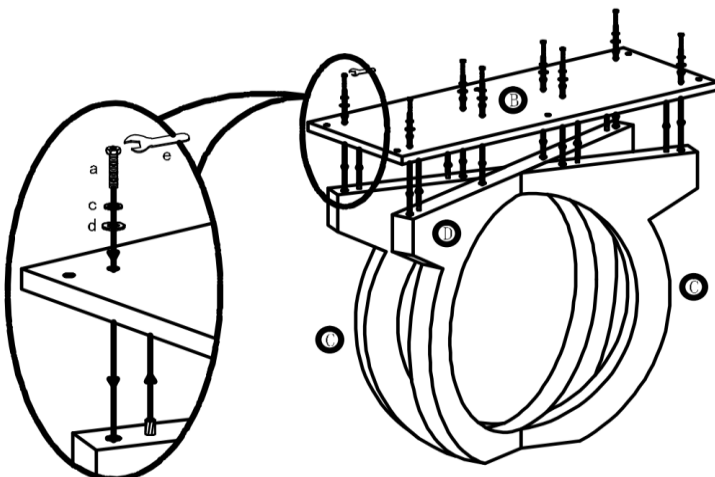
Before assembly:

Please discharge all parts from the carton, make sure all parts and hardware listed being ready.

Please place all parts and hardware on soft clean surface to prevent parts damaged during assembly.

STEP1:

Use [e] to secure the KD legs [B+C+D] with [a]+[c]+[d] at the point place

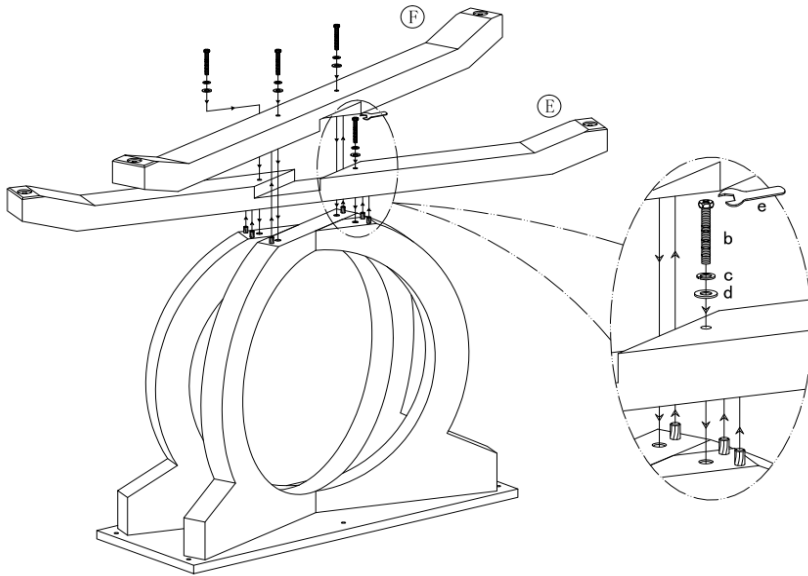


ASSEMBLY INSTRUCTION

5066-80161 KINSEY SOFA TABLE

Thank you for purchasing this quality product. Be sure to unpack carefully looking for small parts which may have come loose during shipment.

Read all instruction and study the drawing carefully before starting the assembly process.

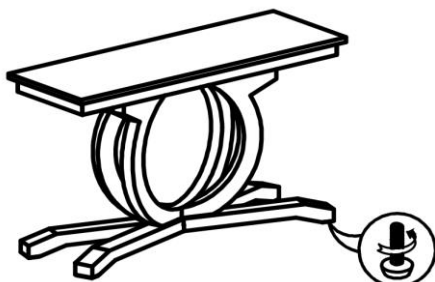
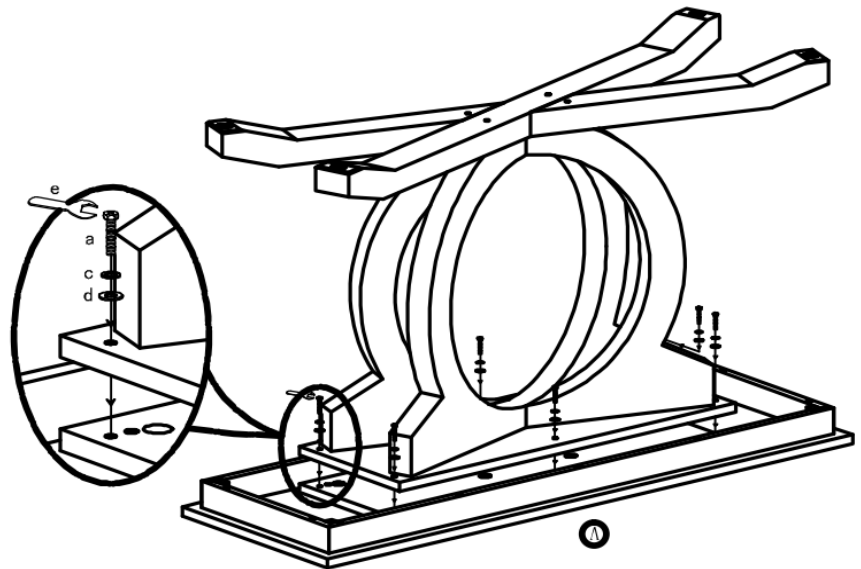


STEP2:

Use [e] to secure the KD legs [B+C+D] with [E+F], screw [b]+[c]+[d] at point place.

STEP3:

Use [e] to secure the KD legs [STEP2] with [a]+[c]+[d] at the point place on



STEP4:

Stand the table, and if place on the uneven floor, please adjust the levelers.