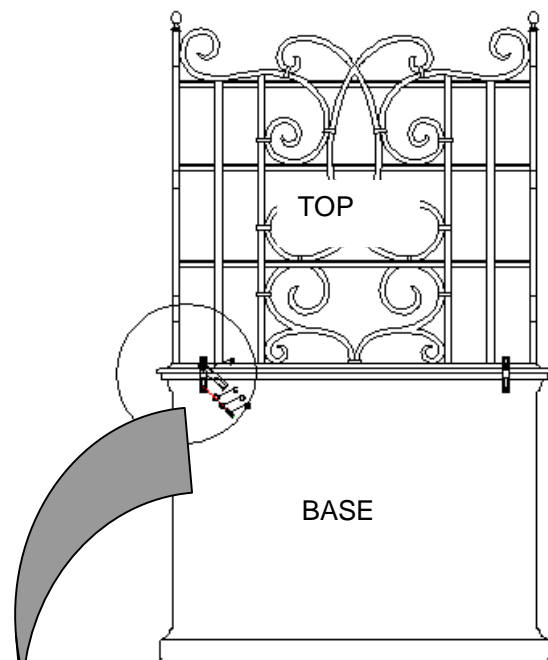
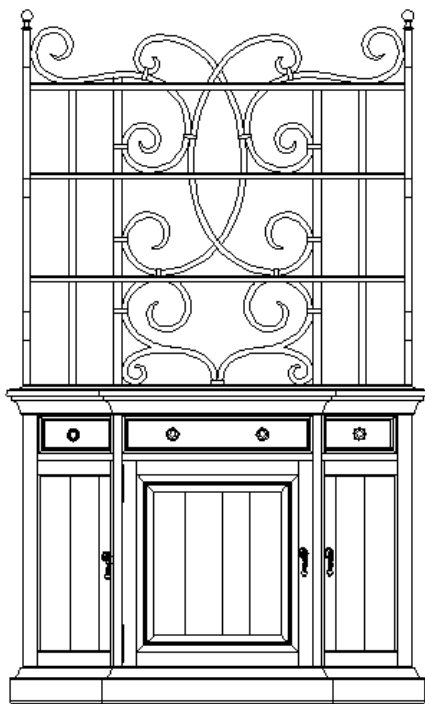


ASSEMBLY INSTRUCTION

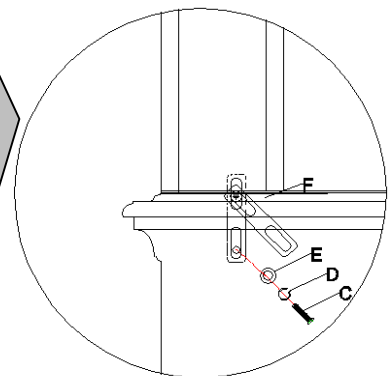
ITEM#: 5004-75900 THREE-DOOR THREE-DRAWER BUFFET

ITEM#: 5004-75905 METAL HUTCH

**** Please make sure you have all parts indicated below prior to assembly.
This unit is heavy and can best be assembled with the help of two or more persons.**



1. Put the Top on the Base.
2. Unscrew the bolt (C), lock washer (D), flat washer (E) in counter-clockwise direction.
3. Turn the mending plate (F) according the direction of arrowhead.
4. Screw the bolt (C), lock washer (D), flat washer (E) tightly as the reverse way of step 2.



***Cleaning Instruction: Clean finished parts with a damp cloth using a mild dishwashing liquid and water solution.
Polish the finish with soft cloth and an industry recognized furniture polish.***