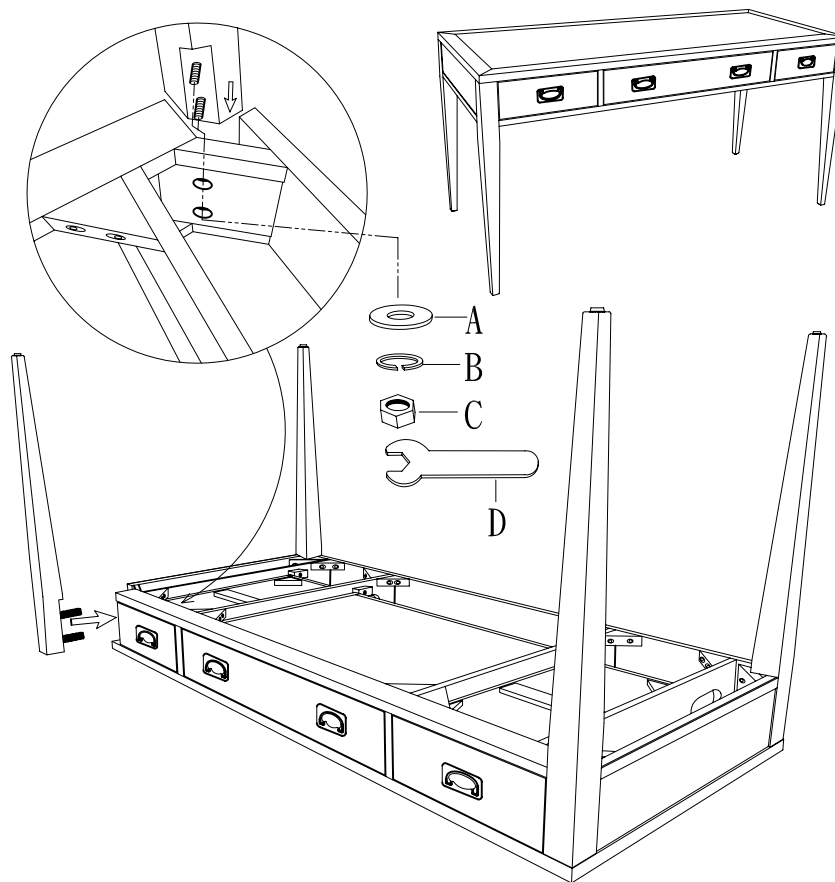



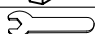


HOKER

INSTRUCTION FOR 388-10-458

*** please read all instructions carefully before starting the assembly process.***
*** place table top upside down on soft surface.***



NO.	HARDWARE LIST			QTY
A	Washer		Ø5/16"x23mm	8pcs
B	Spring Washer		Ø5/16"	8pcs
C	6-Corner Screw		Ø5/16"	8pcs
D	Allen Wrench		Ø5/16"	1pc