



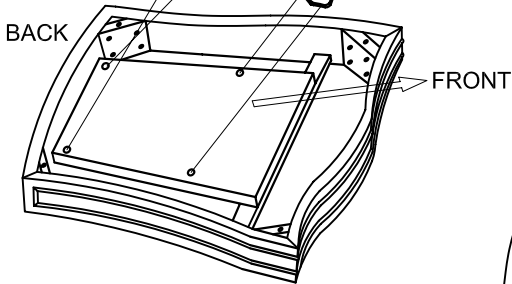
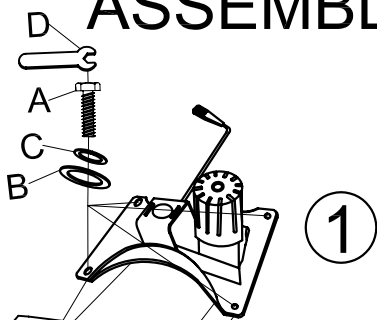


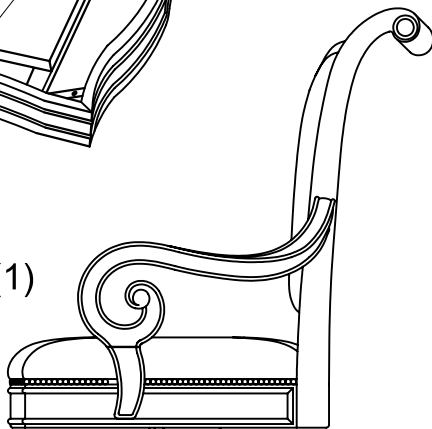
HOOKER FURNITURE CORPORATION ASSEMBLY INSTRUCTION

#374-30-220

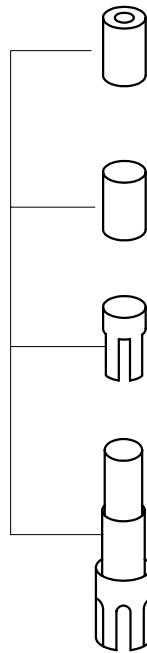
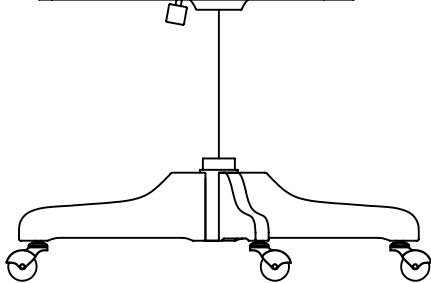
NO.	HARDWARE LIST			QTY
A	Bolt		ø5/16"x1"	4pcs
B	Washer		ø5/16"x19mm	4pcs
C	Spring Washer		ø5/16"	4pcs
D	Allen Wrench		ø5/16"	1pc



Chair Body (1)



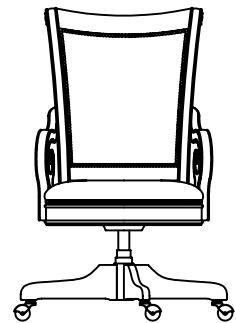
Base (1)



Upper Cover Con(1)

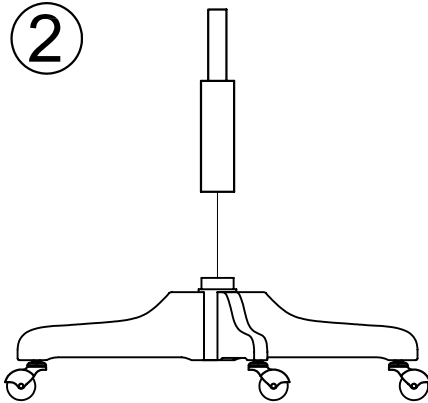
Middle Cover Con(2)

Lower Cover Con(1)

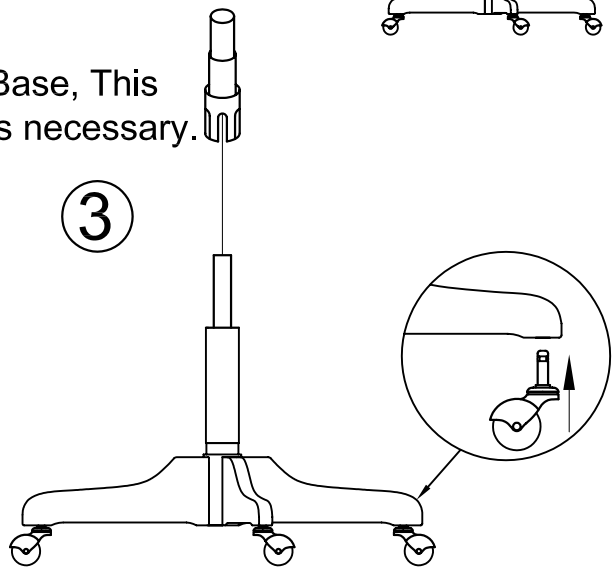


Insert the Pneumatic Cylinder Into the Base, This Is a taper fit no mechanical fastening is necessary.

②

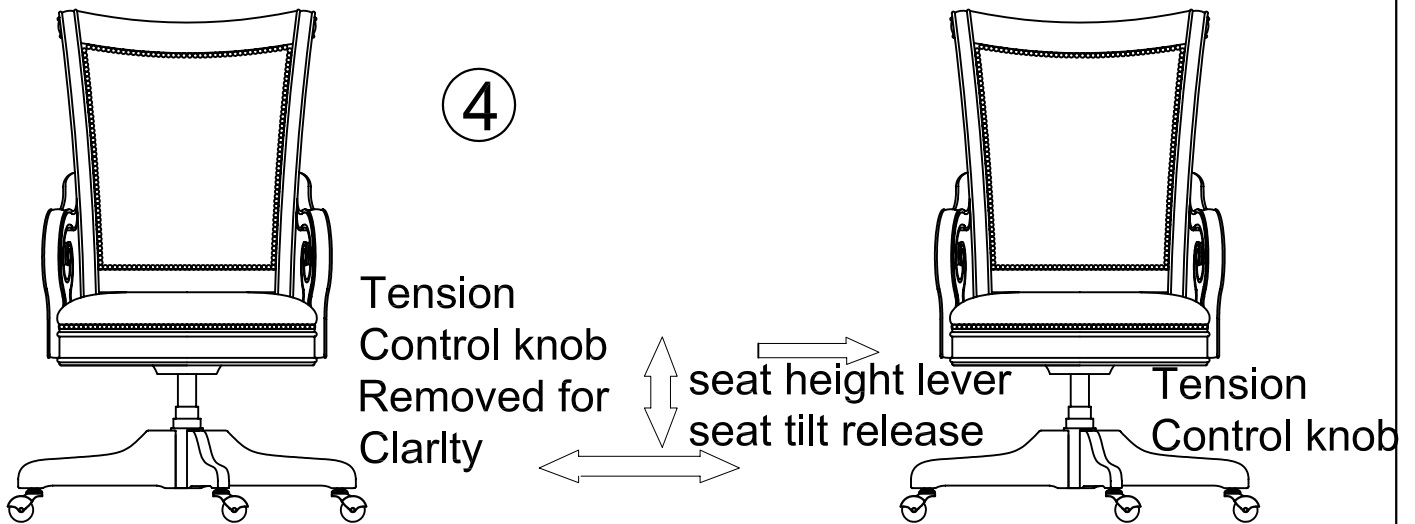


③



Place the cover scons over the Cylinder, as shown.

Place the chair body onto the cylinder. No mechanical fastening is necessary because this is a taper fit. Now sit in the chair. This will firmly secure the taper fit.



The chair features two Adjustments to customize your chair.

Seat Height: The seat should be adjusted so that your feet are comfortably flat on the floor and you feel no pressure under your thighs.

To lower the seat: While seated roll the seat height lever.

To raise the seat: Lift your weight slightly from the chair and raise the seat lever. The seat height will lock into place when you release the lever.

Tilt tension: The ideal tilt tension allows you to lean back with minimum effort while providing enough resistance to afford comfortable back support.

To reduce tension: Turn the tilt control knob clockwise.

To increase tension: Turn the tilt control knob counterclockwise.

To release tilt: Pull out the lever.

To lock tilt: Push the lever.