

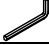




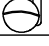

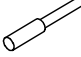

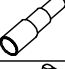

ASSEMBLY INSTRUCTION



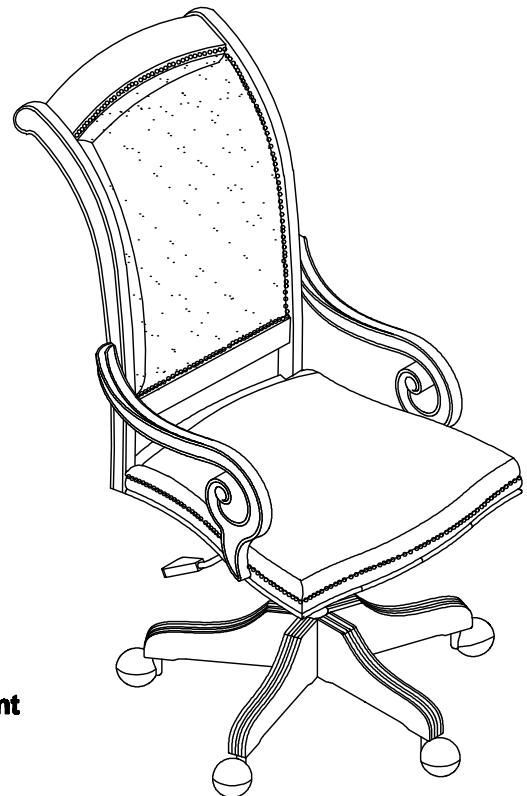
Item: 370-30-220 Desk Chair

Thank you for purchasing this quality product. Be sure to unpack carefully for small parts which may have come loose during shipment.

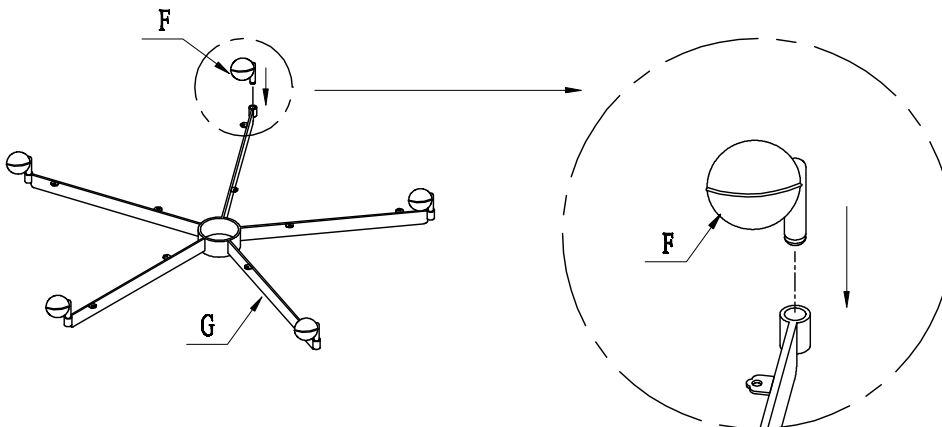
Read all instruction and study the drawing carefully before starting the assembly

HARDWARE LIST			
NO	DRAWING	DESCRIPTION	Qty
A		Allen Wrench	1pc
B		Wood Screw	10pcs
C		Lock washer	4pcs
D		Flat washer	4pcs
E		Blot	4pcs
F		Caster	5pcs
G		Chair Base	1pc
H		Pneumatic cylinder	1pc
I		Bottom cylinder cover	1pc
J		Upper cylinder cover	1pc
K		Ergonomic mechanism	1pc

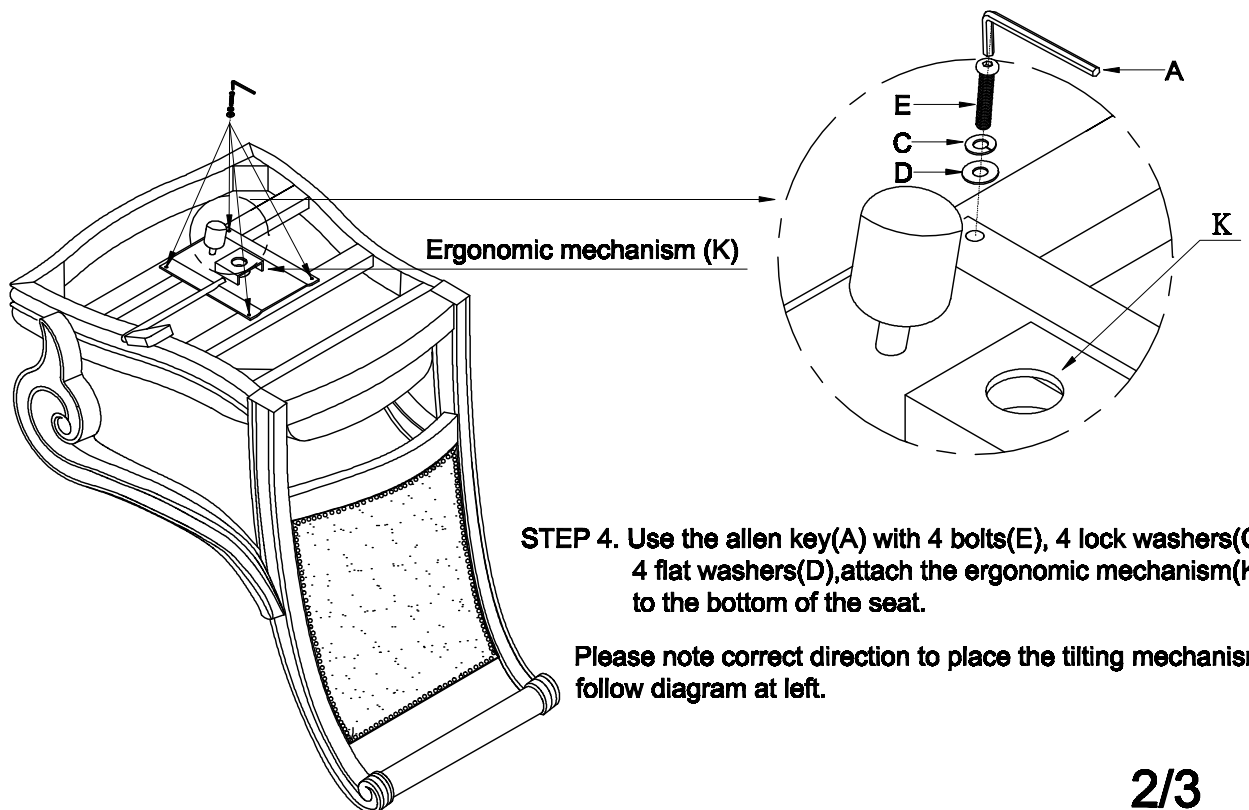
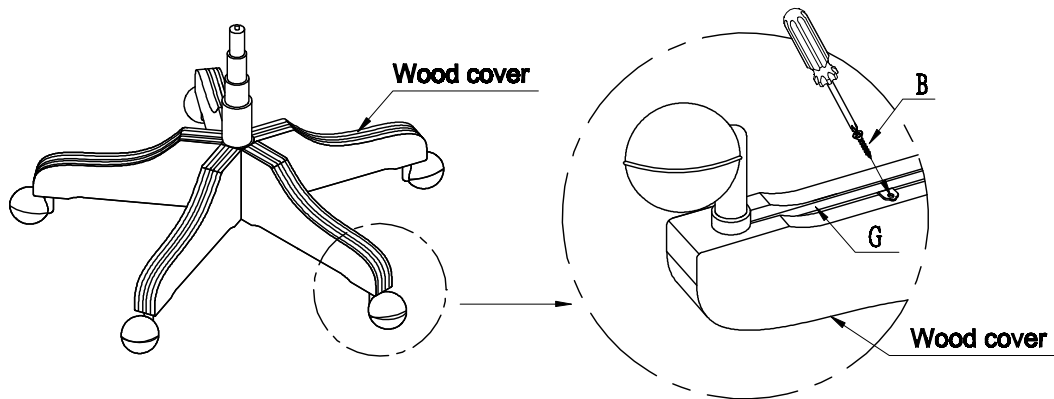
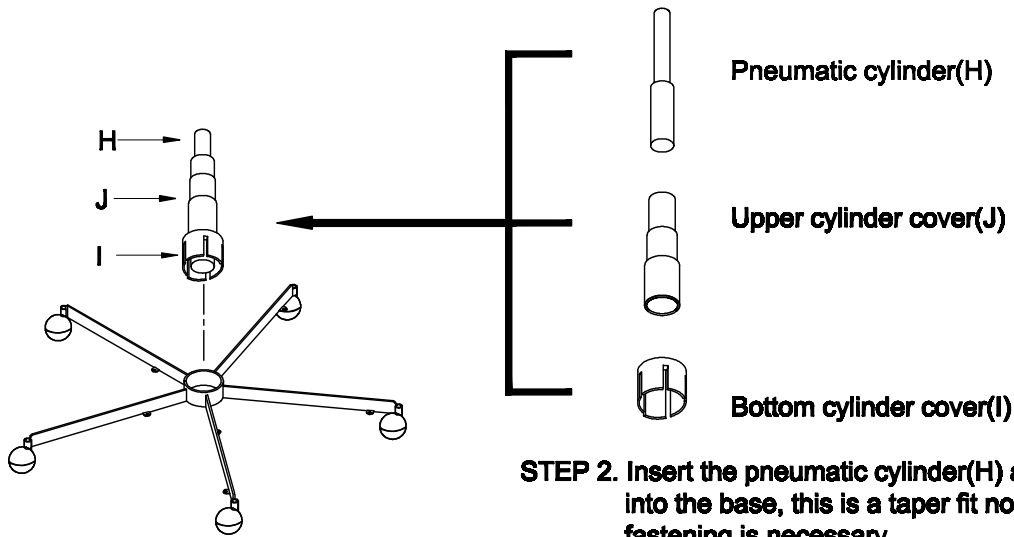
*** Please ensure you have all the parts indicated below prior to assembly

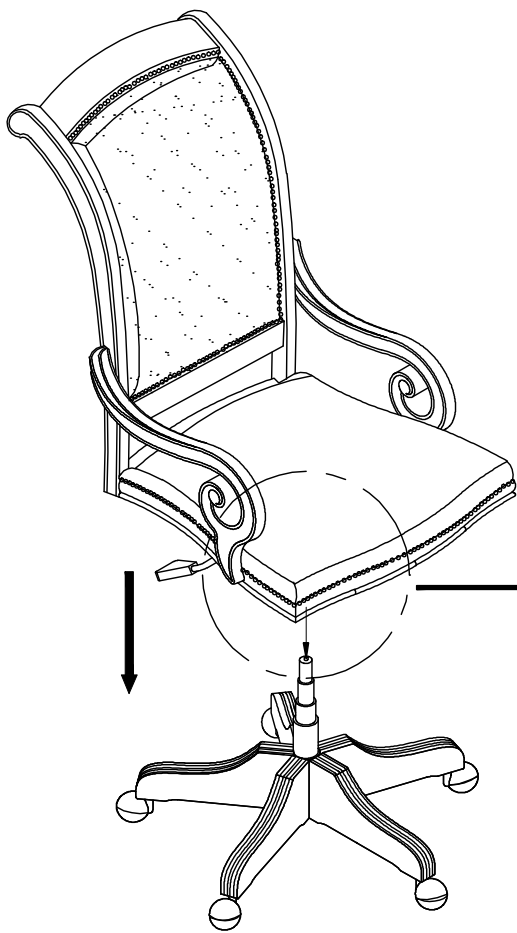


This item should be assembled on a flat, soft surface to prevent scratching the finish while assembling.

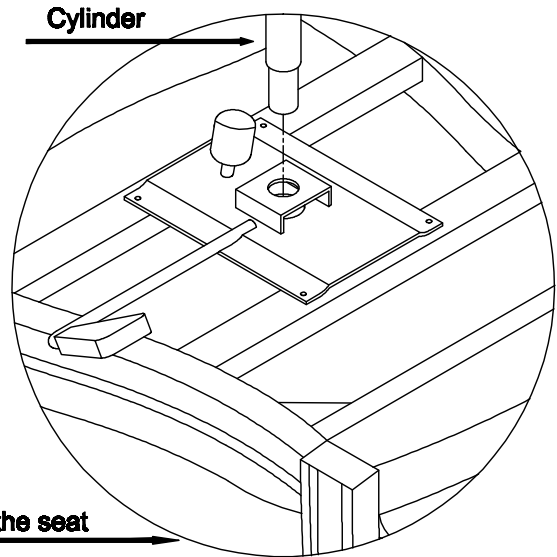


STEP 1. Insert 5 Casters(F) in Chair Base(G)





STEP 5. Place the chair body on to the cylinder. No mechanical fastening is necessary because this is a taper fit. Now sit in the chair. This will firmly secure the taper fit.



Seat height and tilt can be adjusted using the seat height lever at right:

The seat can be adjusted so that your feet comfortably flat on the floor.

To lower the seat:

While seated, raise the seat height lever, the chair will lower with your body weight. The seat height lever will lock into place when you release the lever.

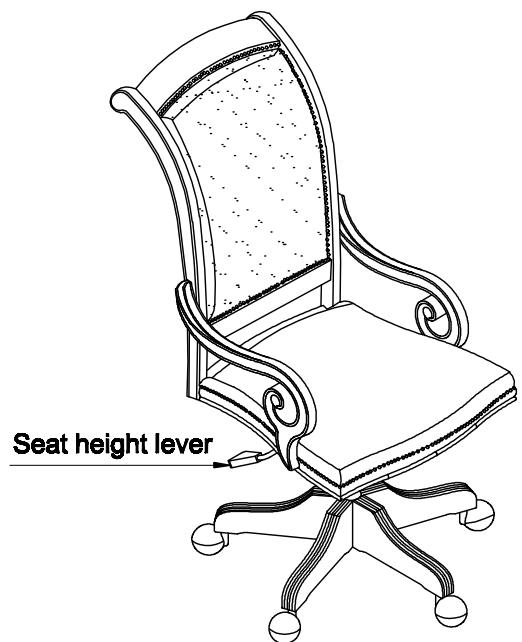
To raise the seat:

Move your weight slightly from the chair and raise the seat height lever, the chair will raise when the lever is lifted. The seat height lever will lock into place when you release the lever.

Tilting the seat:

To tilt the chair back, pull out the seat height lever.

To lock the chair to prevent tilting, push the seat height lever in.



Cleaning Instruction: Clean finished parts with a damp cloth using a mild dishwashing liquid and water solution. Polish the finish with soft cloth and an industry recognized furniture polish.