






ASSEMBLY INSTRUCTION

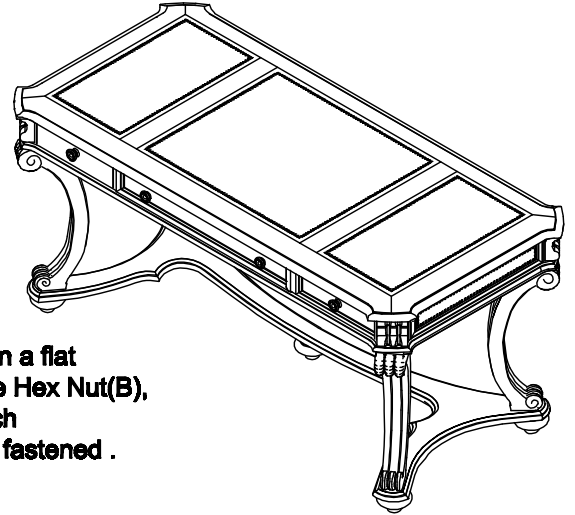
Item: 370-10-459 Writing Desk 66 inch RTA

Thank you for purchasing this quality product. Be sure to unpack carefully looking for small parts which may have come loose during shipment.

Read all instruction and study the drawing carefully before starting the assembly process

HARDWARE LIST

NO	DRAWING	DESCRIPTION	SIZE	Qty
A		Hex Wrench	Ø5/16"	1pc
B		Hex Nut	Ø5/16"	8pcs
C		Lock washer	Ø1/4"	8pcs
D		Flat washer	Ø1/4**19mm	8pcs
E		Screw	#8*1-1/2"	4pcs



- STEP 1:** Remove side drawers, and then place the top upside down on a flat and clean surface. Position the legs in the corners of the desk and use Hex Nut(B), Lock washer(C), Flat washer(D) to fix legs to desk top. Use Hex Wrench provided to tighten nut and washers making sure the legs are securely fastened.
- STEP 2:** Place bottom shelf on legs with wood dowel in position, secure it with screw (E). Tighten five feet in a clockwise direction.
- STEP 3:** Place desk uprightly and side drawers in position.

