



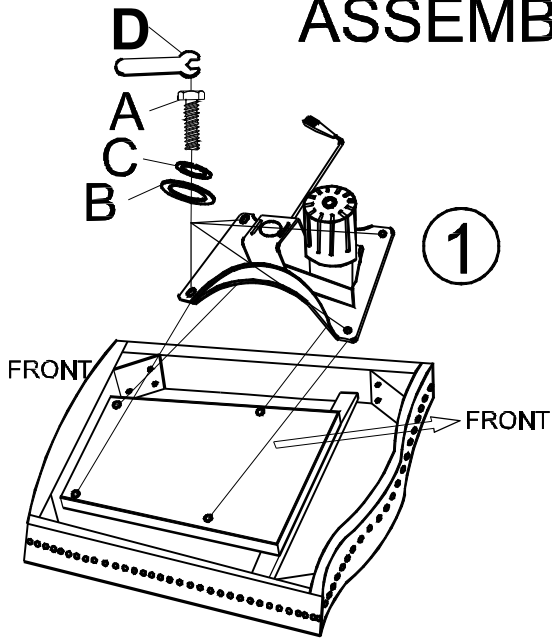


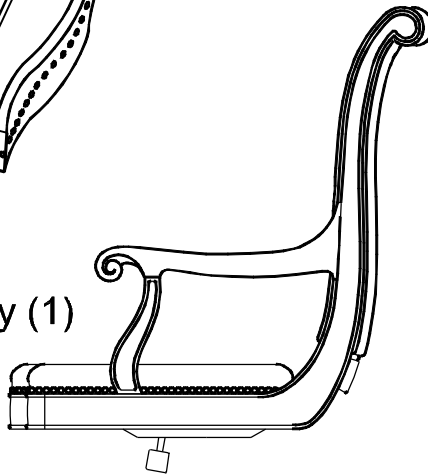
# HOOKER FURNITURE CORPORATION ASSEMBLY INSTRUCTION

#281-30-220

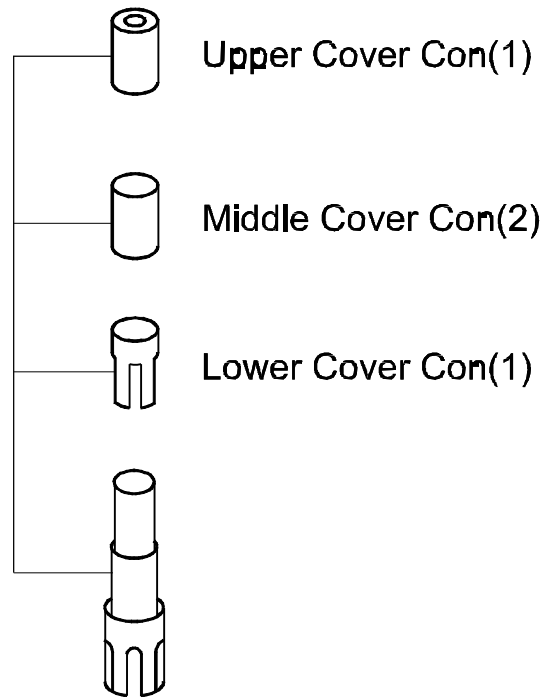
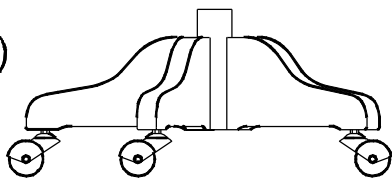
NO.	HARDWARE LIST			QTY
A	Bolt		Ø5/16"x1"	4PCS
B	Washer		Ø5/16"x19mm	4PCS
C	Spring Washer		Ø5/16"	4PCS
D	Wrench		12mm	1PC



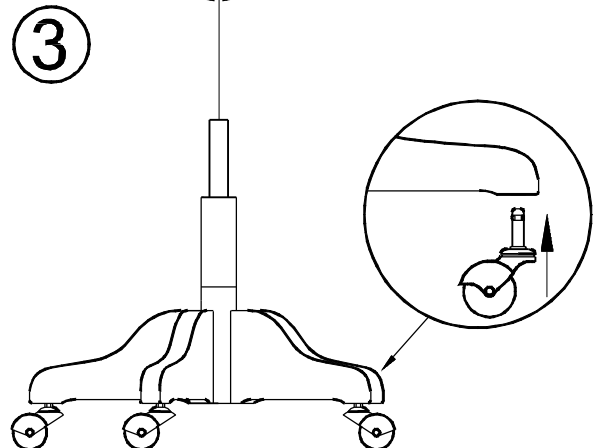
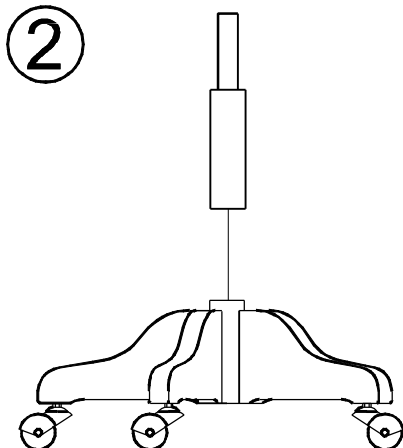
Chair Body (1)



Base (1)

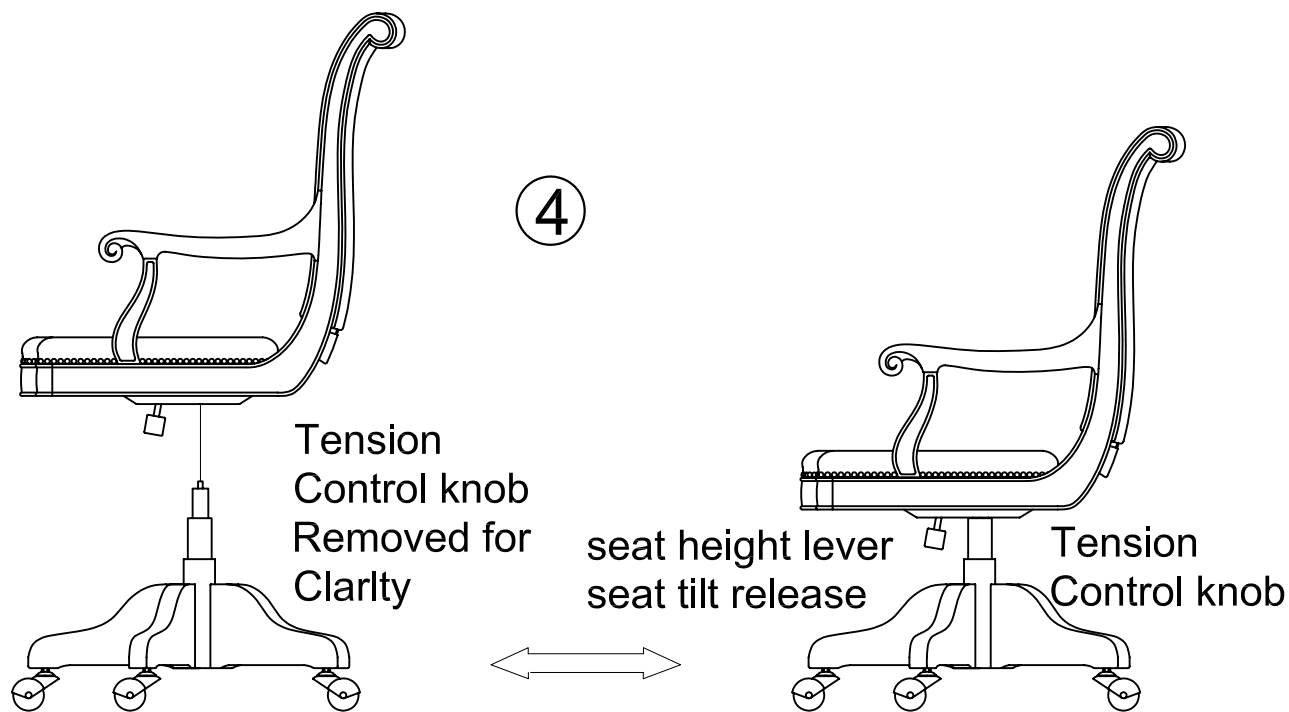


Insert the Pneumatic Cylinder into the Base, This is a taper fit no mechanical fastening is necessary.



Place the cover casters over the Cylinder, as shown.

Place the chair body onto the cylinder. No mechanical fastening is necessary because this is a taper fit. Now sit in the chair. This will firmly secure the taper fit.



The chair features two Adjustments to customize your chair.

**Seat Height:** The seat should be adjusted so that your feet are comfortably flat on the floor and you feel no pressure under your thighs.

To lower the seat: While seated roll the seat height lever.

To raise the seat: Lift your weight slightly from the chair and raise the seat lever. The seat height will lock into place when you release the lever.

**Tilt tension:** The ideal tilt tension allows you to lean back with minimum effort while providing enough resistance to afford comfortable back support.

To reduce tension: Turn the tilt control knob clockwise.

To increase tension: Turn the tilt control knob counterclockwise.

To release tilt: Pull out the lever.

To lock tilt: Push the lever.

To Retighten the bolts of casters about every two months.