



# HOOKER

FURNITURE

Easy Elegance • Since 1924

## Round Cocktail Table / 5283-80-111

### Parts Included:

- 1 Top Assembly
- 1 Leg Assembly
- 6 Legs
- 12 Bolts 3/16 x 1/2"

### Tools Required:

- Philips Screwdriver



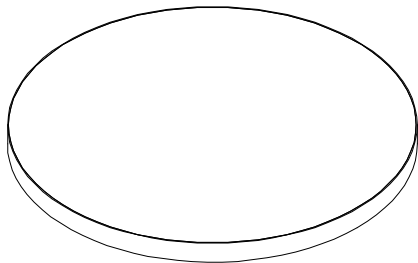
MADE IN MEXICO

It is strongly recommended that this table be assembled by **TWO PERSONS** to avoid marking or scratching the finish. It is easier to assemble this product upside down.

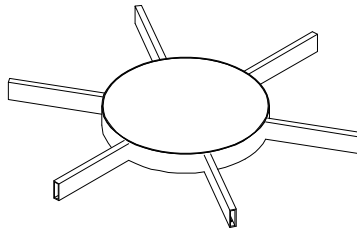
1. Locate and unpack all of the parts required and place them on a soft surface (i. e. carpet).
2. Place the Top assembly upside down on a soft surface.
3. Match numbers on base to numbers on top.
4. Attach Leg Assembly to Legs using 3/16 x 1/2 Bolts as shown. Leave loose.
5. Attach Leg Assembly to Top assembly using 3/16 x 1/2 Bolts as shown. Tighten Bolts.
6. Turn the completed table upright.

It is recommended that you periodically check and tighten all parts during the lifetime of the product. Clean with a damp cloth and buff dry with a soft cloth. Use of commercial polishes or waxes is not recommended. Use coasters under beverages and articles that may scratch. Do not place hot items directly on the surface.

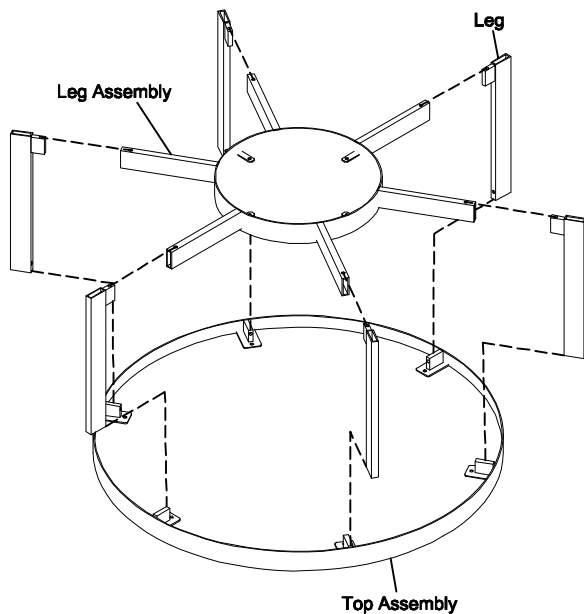
### Top Assembly



### Leg Assembly



### Legs (6)



BOLTS  
(3/16 x 1/2")

