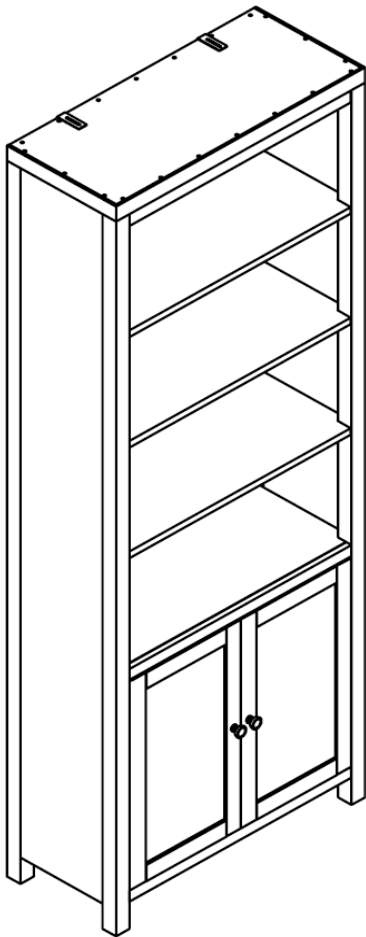


# ASSEMBLY INSTRUCTION

## 5078-10445 Bunching Bookcase

**Thank you for purchasing this quality product. Be sure to unpack carefully looking for small parts which may have come loose during shipment.**

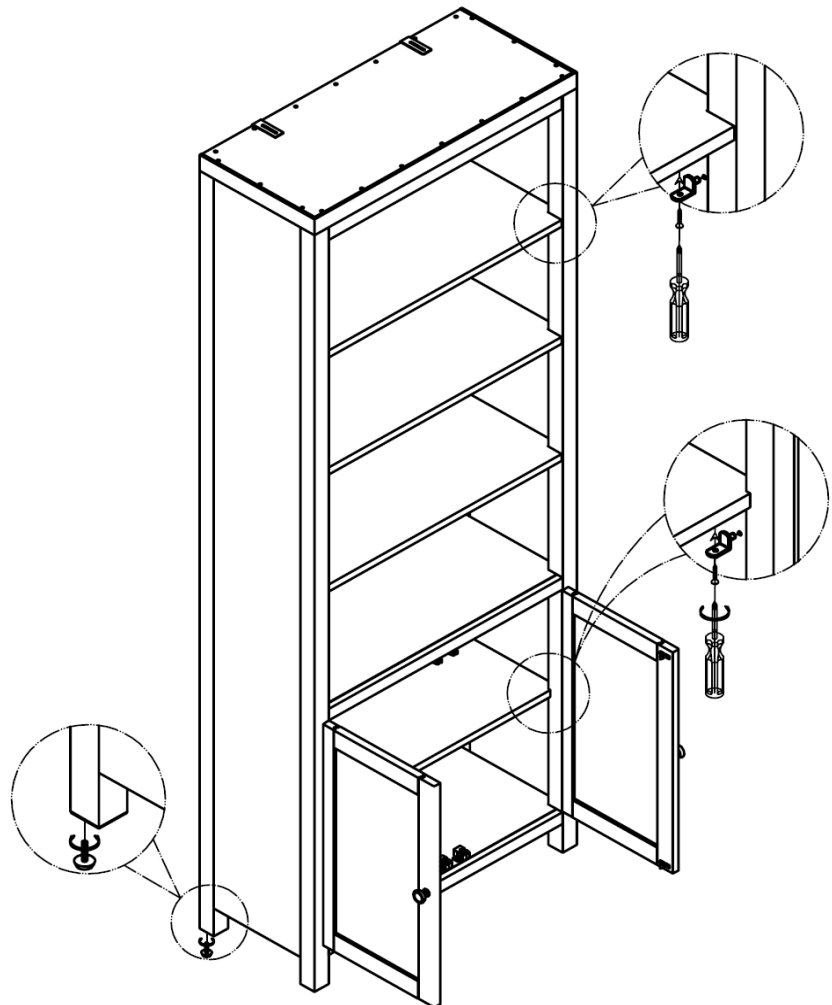
**Read all instruction and study the drawing carefully before starting the assembly process.**



The adjustable shelves are screwed during transit.

Way to adjust the shelves:

1. Use screwdriver to loose the screw of the pins
2. Put the pins at the desire place.
3. Put the shelf on the pins, and screw the pins.



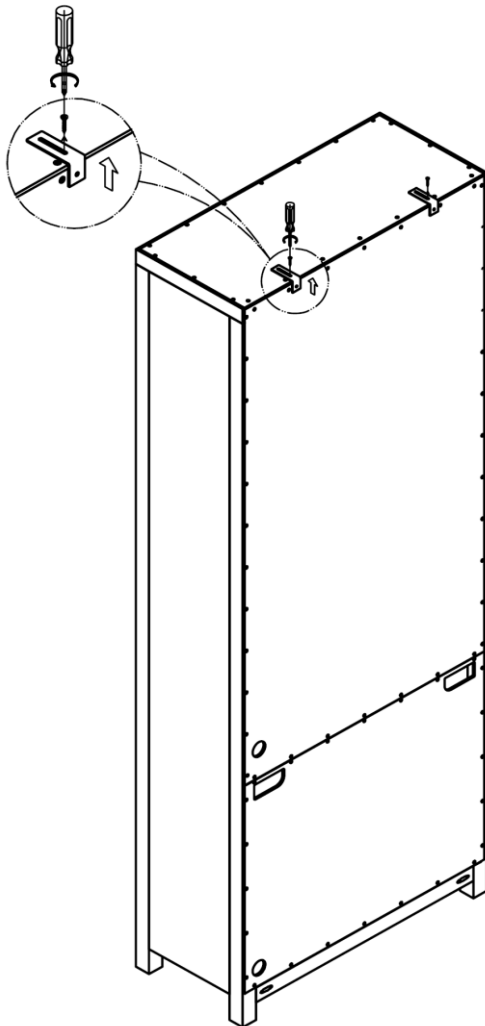
Adjust the levelers if placing the bookcase on the uneven floor.

# ASSEMBLY INSTRUCTION

## 5078-10445 Bunching Bookcase

**Thank you for purchasing this quality product. Be sure to unpack carefully looking for small parts which may have come loose during shipment.**

**Read all instruction and study the drawing carefully before starting the assembly process.**



Way to use the anti-tip bracket

Step 1: Unscrew the bracket on the bookcase top.

Step 2: Turn over the bracket, and fix the screws back to the original place

Step 3: Fix the bracket with screws on the wall.

